

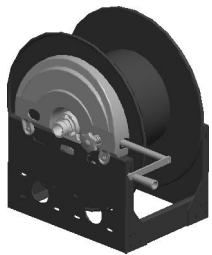
**REELCRAFT**

2842 E. BUSINESS HWY. 30  
COLUMBIA CITY, IN 46725 USA

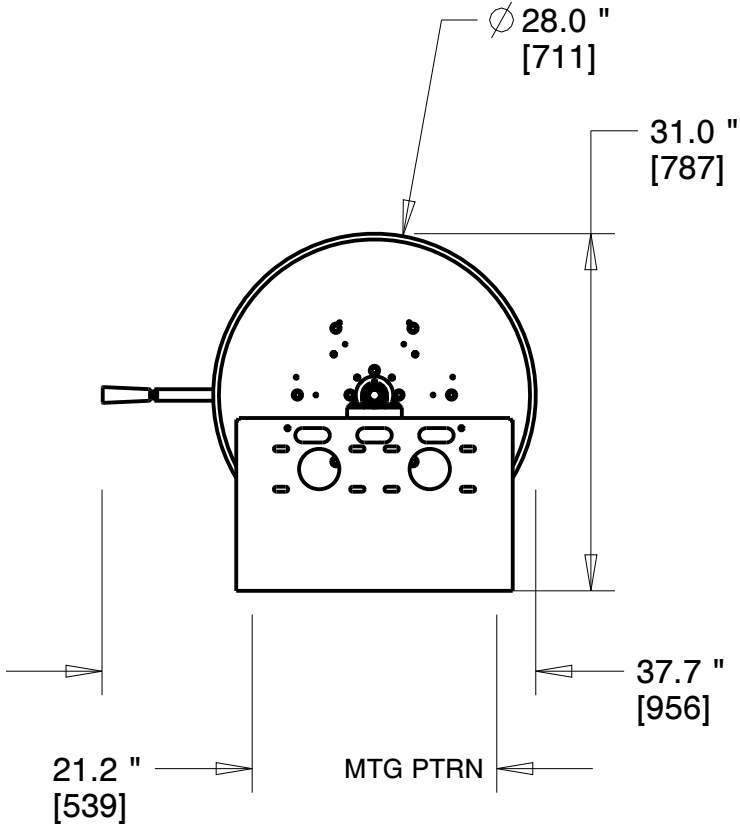
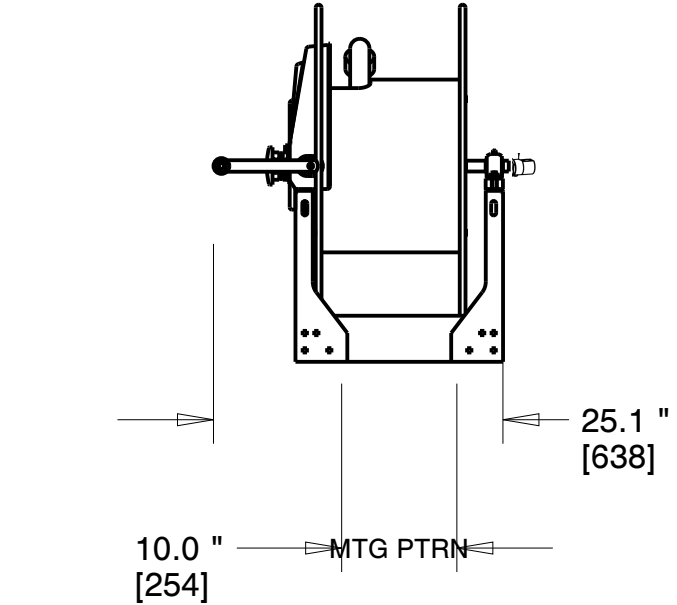
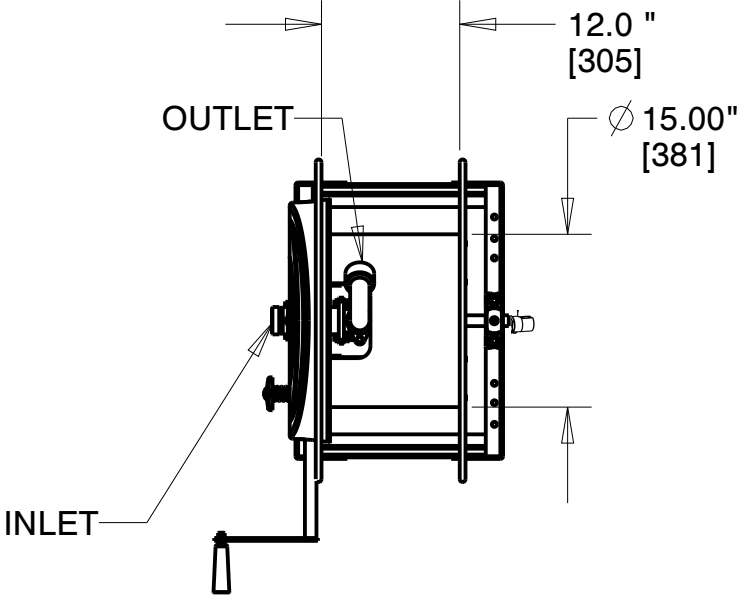
INT'L PHONE: 01-1-260-248-8188  
DOMESTIC TOLL FREE: 1-800-444-3134  
INT'L TAX: 01-1-260-248-2605

Configured By:  
Gerard Grooteval  
1/7/8/2018

THIS DOCUMENT CONTAINS PROPRIETARY INFORMATION OF REELCRAFT IND., INC. AND IT SHALL NOT BE DISCLOSED TO OTHERS OR DUPLICATED OR USED FOR OTHERS WITHOUT THE EXPRESS WRITTEN CONSENT OF REELCRAFT IND., INC.  
IF APPROVAL/CHANGE REQUEST IS NOT WRITTEN 24 HOURS THEN REELCRAFT WILL PROCEED WITH ORDER AS IS. ANY CHANGE MADE TO REEL AFTER 24 HOURS MAY CAUSE CHANGE IN LEAD TIME AND/OR PRICE.

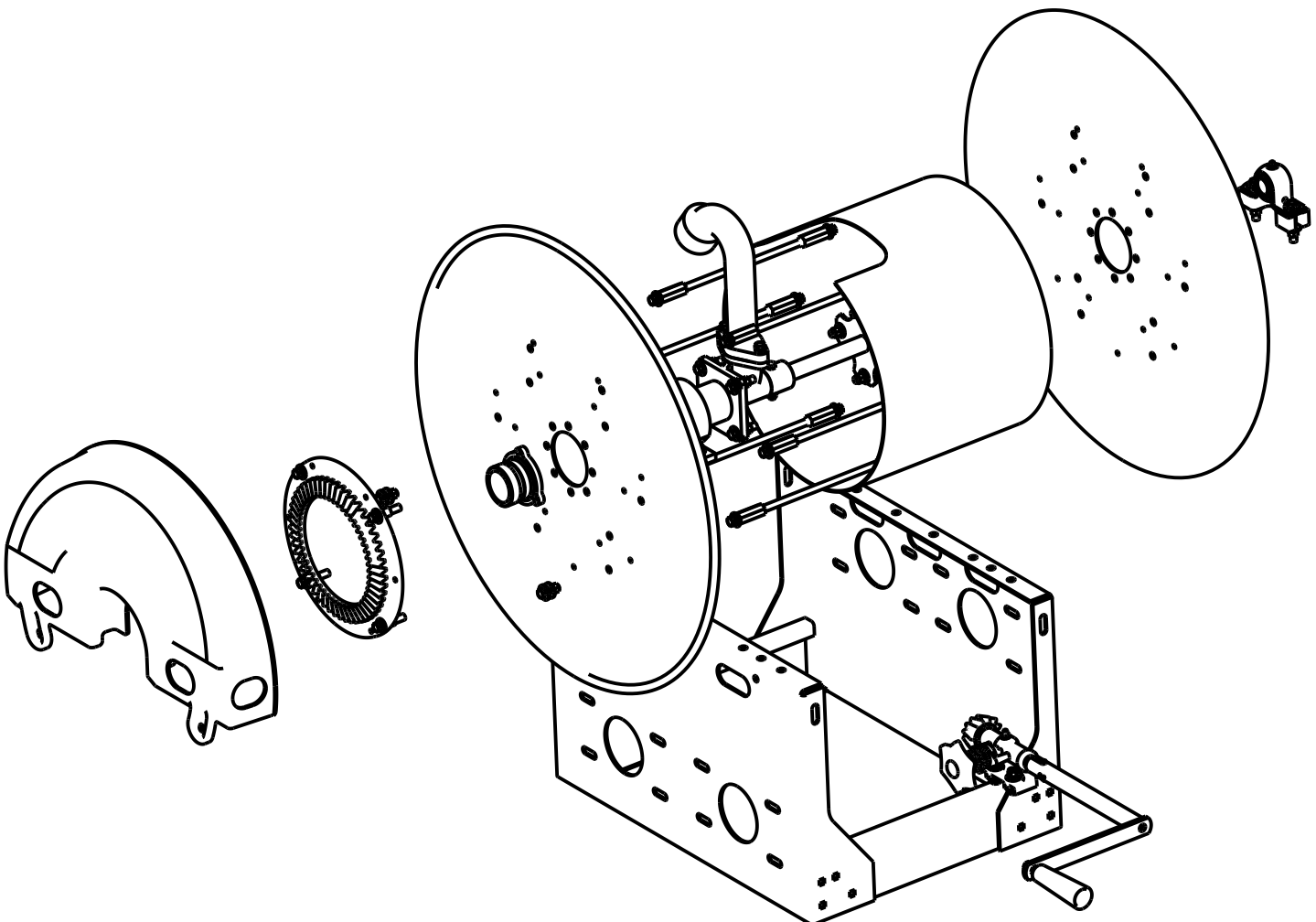


NOTE: FRAME IS OF BOLT-TOGETHER STYLE



Reel Model #: C13860-1-BC3700-28-12-20MF		Reel Description: BEVEL_CRANK Drive Hose Reel Ass'y 2.000" X 30' to 300 PSI maximum			
3700 REEL OF STEEL CARBON CONSTRUCTION PAINTED: GRAY (39)	INLET: 2.000" MALE BSPT	AUXILLARY BEVEL CRANK: NA	MOTOR CONTROL: N_A	CUSTOMER NAME:	
SIZED FOR: 30' OF 2.000" ID HOSE	OUTLET: 2.000" FEMALE BSPT	CHAIN GUARD: YES	CIRCUIT BREAKER: N_A	CUSTOMER APPROVAL:	
RUBBER HOSE RATED MAX 300 PSI (NOT INCLUDED)	ALUMINUM FLUID PATH IN BOTTOM_WIND POSITION	GUIDE ROLLER ASSEMBLY: NO	SOLENOID: N_A	CUSTOMER P.O.:	
FOR AIR_200 USING LT_BUNA SEAL MATERIAL	DRIVE TYPE: BEVEL_CRANK	LATCH PIN: NO	JUNCTION BOX: N_A		

# HOSE REEL EXPLODED VIEW DRAWING



**REELCRAFT**

2842 E. BUSINESS HWY. 30  
COLUMBIA CITY, IN 46725 USA

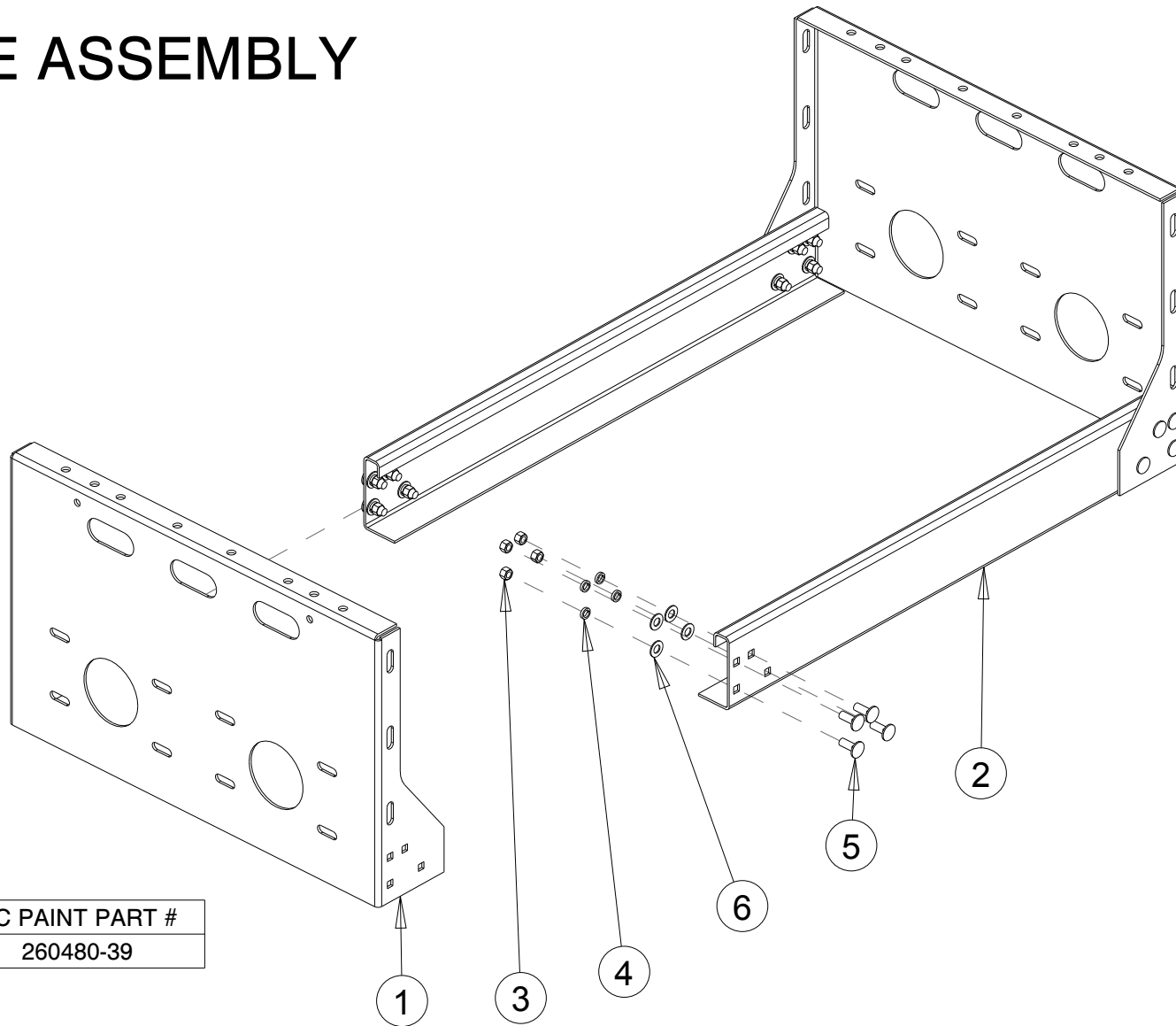
INT'L PHONE: 011-260-248-8188  
DOMESTIC TOLL FREE: 1-800-444-3134  
INT'L TAX: 011-260-248-2605

Configured By:  
Gerard Grooteval  
1/18/2018

THIS DOCUMENT CONTAINS PROPRIETARY INFORMATION OF REELCRAFT IND., INC. AND IT SHALL NOT BE DISCLOSED TO OTHERS OR DUPLICATED OR USED FOR OTHERS WITHOUT THE EXPRESS WRITTEN CONSENT OF REELCRAFT IND., INC.

IF APPROVAL/CHANGE REQUEST IS NOT WRITTEN 24 HOURS THEN REELCRAFT WILL PROCEED WITH ORDER AS IS. ANY CHANGE MADE TO REEL AFTER 24 HOURS MAY CAUSE CHANGE IN LEAD TIME AND/OR PRICE.

# FRAME ASSEMBLY



PAINT COLOR	RC PAINT PART #
GRAY	260480-39

BALLOON #	PART #	PART DESCRIPTION	QTY REQ'D
1	SEE B.O.M.	SIDE FRAME	2
2	SEE B.O.M.	TIE PLATE	2
3	S338-6	HEX NUT, 3/8"-16	16
4	S339-616	WASHER, LOCK 3/8"	16
5	S344-100	CARRIAGE BOLT, 3/8"-16	16
6	S350-41	WASHER, 3/8"	16

**REELCRAFT**

2842 E. BUSINESS HWY. 30  
COLUMBIA CITY, IN 45725 USA

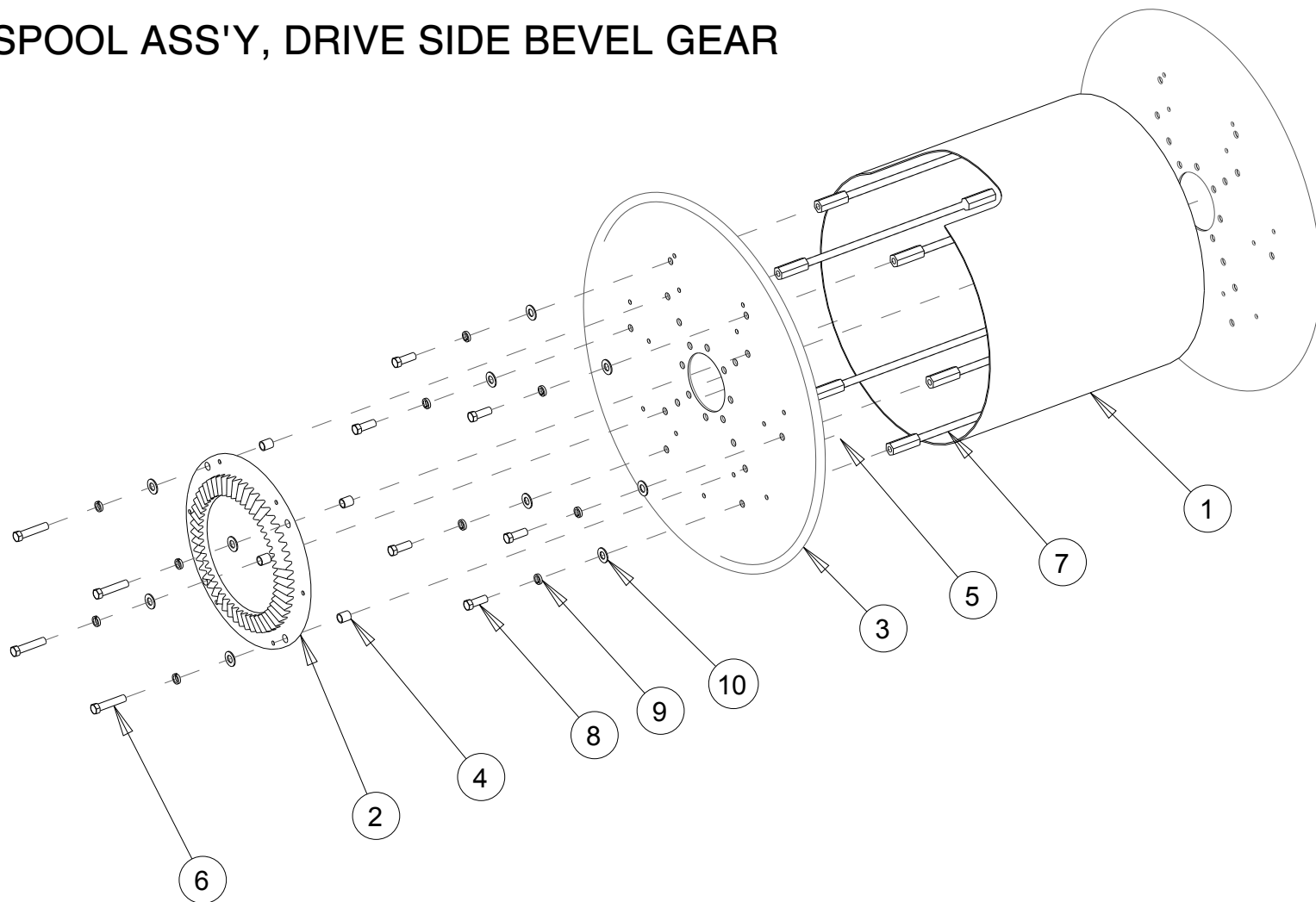
INT'L PHONE: 01-1-260-248-8188  
DOMESTIC TOLL FREE: 1-800-444-3134  
INT'L FAX: 01-1-260-248-2605

Configured By:  
Reelcraft Configurator  
07/25/12

THIS DOCUMENT CONTAINS PROPRIETARY INFORMATION OF REELCRAFT IND., INC. AND IT SHALL NOT BE DISCLOSED TO OTHERS OR DUPLICATED OR USED FOR OTHERS WITHOUT THE EXPRESS WRITTEN CONSENT OF REELCRAFT IND., INC.

THIS DRAWING IS AN APPROXIMATE REPRESENTATION OF THE CONFIGURED REEL AND IS NOT TO SCALE.  
CONTACT REELCRAFT IND., INC. FOR FURTHER DETAIL.

# SPOOL ASS'Y, DRIVE SIDE BEVEL GEAR



BALLOON #	PART #	PART DESCRIPTION	QTY REQ'D
1	SEE B.O.M.	SPOOL DRUM	1
2	323058M-ANZ	BEVEL GEAR	1
3	SEE B.O.M.	FLANGE	2
4	390030-13	SPACER, 0.563" LONG	4
5	S338-6	NUT, HEX 3/8"-16	4
6	S347-68	SCREW, HEX CAP 3/8"-16	4
7	326468-14	TIE ROD	6
8	S347-65	SCREW, HEX CAP 3/8"-16	6
9	S339-616	WASHER, LOCK 3/8"	10
10	S350-41	WASHER, 3/8"	10

**REELCRAFT**

2842 E. BUSINESS HWY. 30  
COLUMBIA CITY, IN 46725 USA

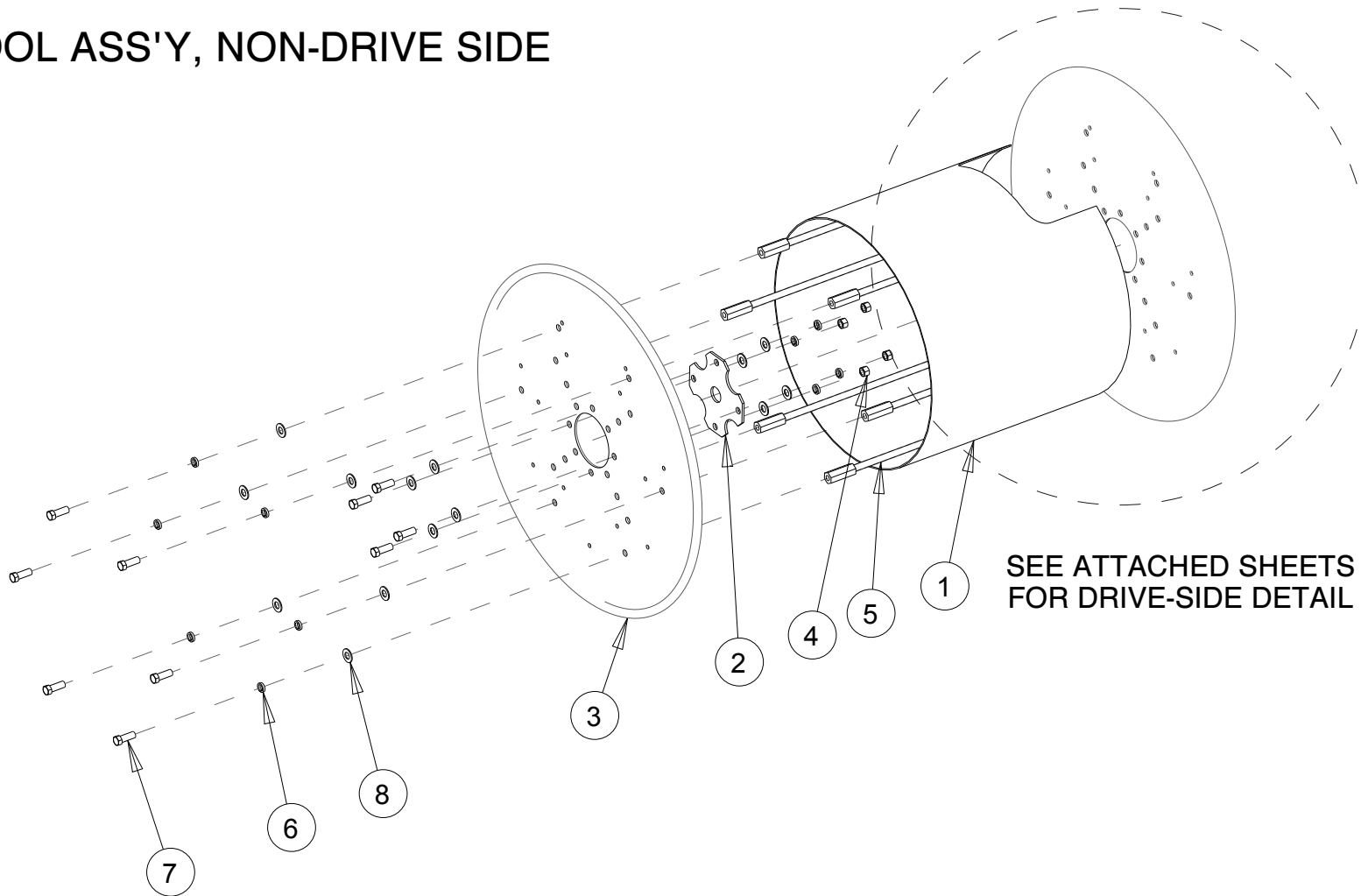
INT'L PHONE: 01-260-248-8188  
DOMESTIC TOLL FREE: 1-800-444-3134  
INT'L FAX: 01-260-248-2605

Configured By:  
Reelcraft Configurator  
11/28/2011

THIS DOCUMENT CONTAINS PROPRIETARY INFORMATION OF REELCRAFT IND., INC. AND IT SHALL NOT BE DISCLOSED TO OTHERS OR DUPLICATED OR USED FOR OTHERS WITHOUT THE EXPRESS WRITTEN CONSENT OF REELCRAFT IND., INC.

THIS DRAWING IS AN APPROXIMATE REPRESENTATION OF THE CONFIGURED REEL AND IS NOT TO SCALE.  
CONTACT REELCRAFT IND., INC. FOR FURTHER DETAIL.

# SPOOL ASS'Y, NON-DRIVE SIDE



SEE ATTACHED SHEETS  
FOR DRIVE-SIDE DETAIL

BALLOON #	PART #	PART DESCRIPTION	QTY REQ'D
1	SEE B.O.M.	SPOOL DRUM	1
2	390610-35	HEAD INSERT	1
3	SEE B.O.M.	FLANGE	2
4	S338-6	NUT, HEX 3/8"-16	4
5	326468-14	TIE ROD	6
6	S339-616	WASHER, LOCK 3/8"	10
7	S347-65	SCREW, HEX CAP 3/8"-16	10
8	S350-41	WASHER, 3/8"	14

**REELCRAFT**

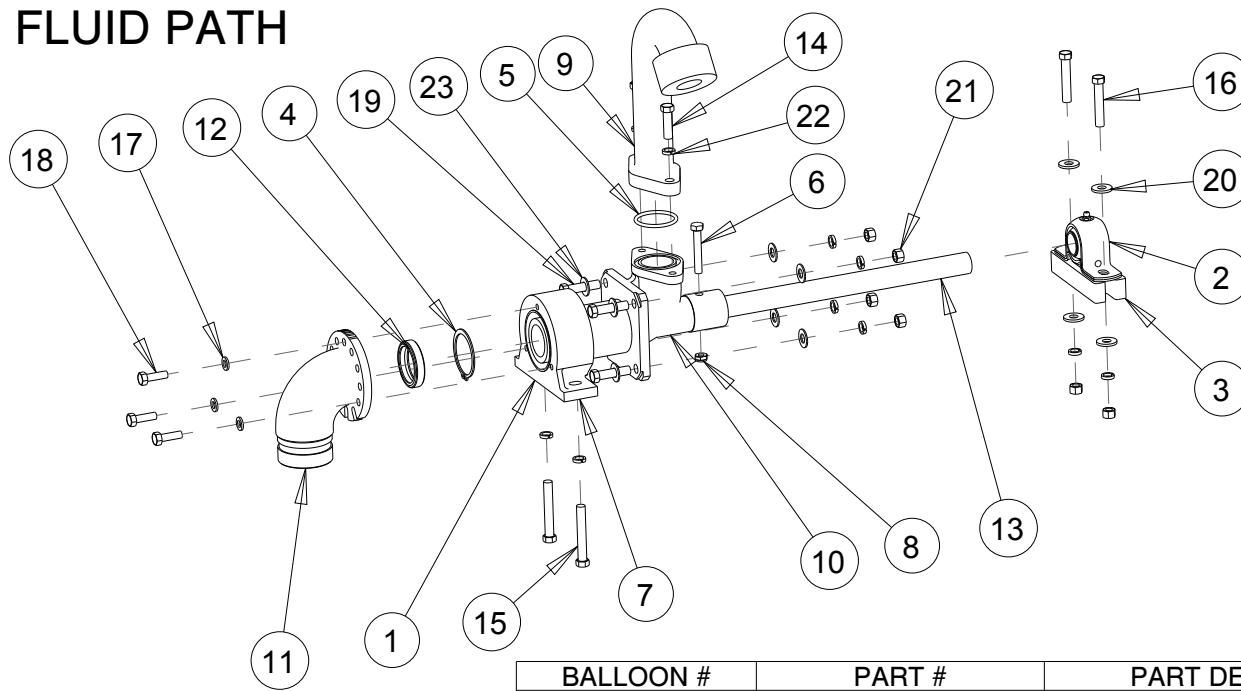
2842 E. BUSINESS HWY. 30  
COLUMBIA CITY, IN 46725 USA

INT'L PHONE: 01-1-260-248-8188  
DOMESTIC TOLL FREE: 1-800-444-3134  
INT'L FAX: 01-1-260-248-2605

Configured By:  
Reelcraft Configurator  
11/28/2011

THIS DOCUMENT CONTAINS PROPRIETARY INFORMATION OF REELCRAFT IND., INC. AND IT SHALL NOT BE DISCLOSED TO OTHERS OR DUPLICATED OR USED FOR OTHERS WITHOUT THE EXPRESS WRITTEN CONSENT OF REELCRAFT IND., INC.  
THIS DRAWING IS AN APPROXIMATE REPRESENTATION OF THE CONFIGURED REEL AND IS NOT TO SCALE.  
CONTACT REELCRAFT IND., INC. FOR FURTHER DETAIL.

# FLUID PATH



BALLOON #	PART #	PART DESCRIPTION	QTY REQ'D
1	323177	BEARING HOUSING	1
2	390798	BEARING ASSY	1
3	PAT1075AL	BEARING SPACER	1
4	310221	SNAP RING	1
5	018228	O-RING	1
6	S376-59	HEX, CAP SCREW 5/16"-18	1
7	360151	BEARING HOUSING ASSY	1
8	S85-7	NUT, NYLOC 5/16"-18	1
9	SEE B.O.M.	FLUID PATH GOOSENECK	1
10	SEE B.O.M.	FLUID PATH SPINDLE	1
11	SEE B.O.M.	INLET	1
12	SEE B.O.M.	SEAL, RING ASSY	1
13	SEE B.O.M.	SUPPORT SHAFT	1
14	S347-68	SCREW, HEX CAP 3/8"-16	2
15	S347-65	SCREW, HEX CAP 3/8"-16	2
16	S347-69	SCREW, HEX CAP 3/8"-16	2
17	S339-516	WASHER, LOCK 5/16"	3
18	S347-55	HEX CAP SCREW 5/16"-18	3
19	S347-66	SCREW, HEX CAP 3/8"-16	4
20	S350-6	WASHER 3/8"	4
21	S338-6	NUT, HEX 3/8"-16	6
22	S339-616	WASHER, LOCK 3/8"	10
23	S350-41	WASHER, 3/8"	8

**REELCRAFT**

2842 E. BUSINESS HWY. 30  
COLUMBIA CITY, IN 46725 USA

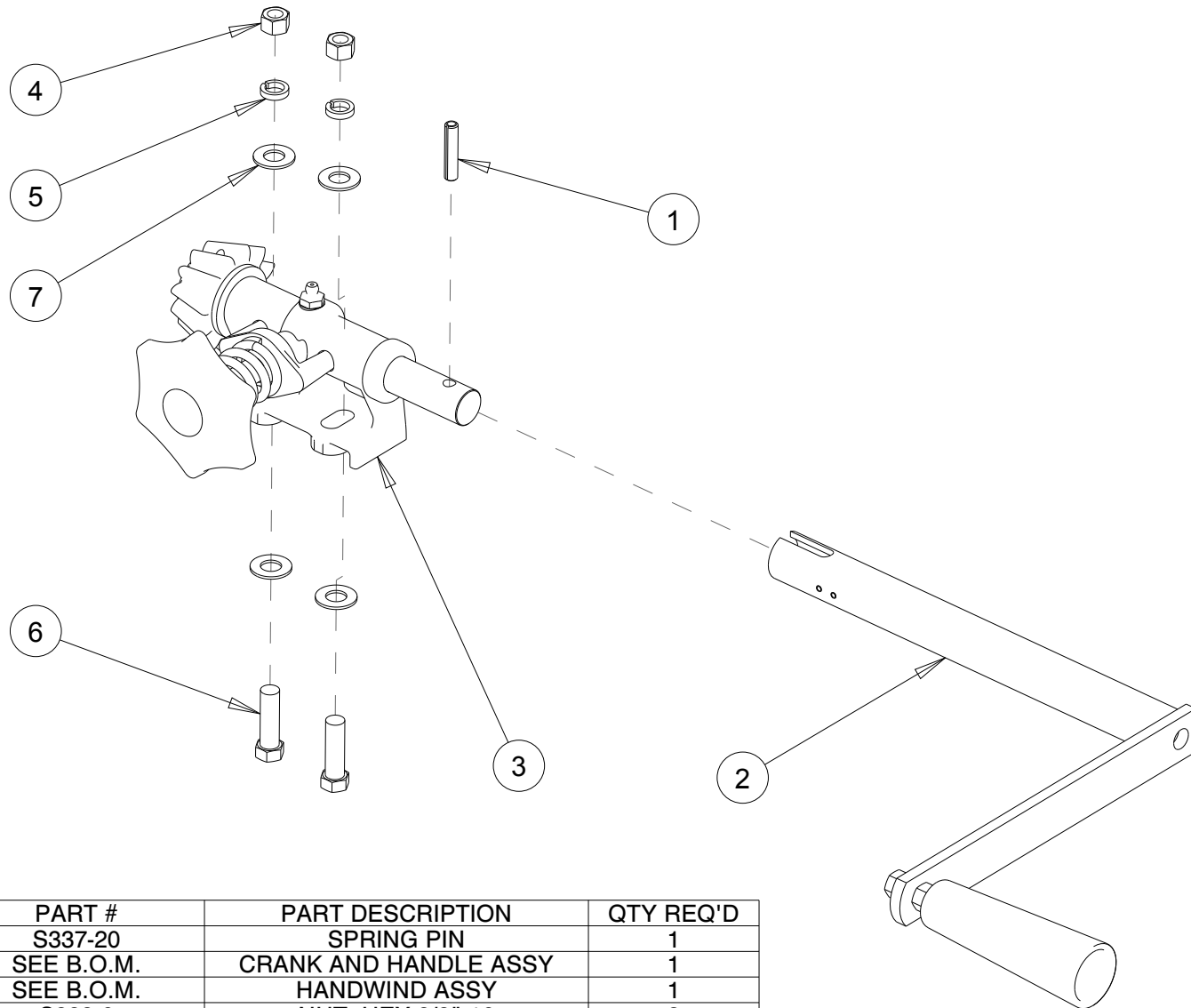
INT'L PHONE: 01-1-260-248-8188  
DOMESTIC TOLL FREE: 1-800-444-3134  
INT'L FAX: 01-1-260-248-2605

Configured By:  
Reelcraft Configurator  
REV-1

THIS DOCUMENT CONTAINS PROPRIETARY INFORMATION OF REELCRAFT IND., INC. AND IT SHALL NOT BE DISCLOSED TO OTHERS OR DUPLICATED OR USED FOR OTHERS WITHOUT THE EXPRESS WRITTEN CONSENT OF REELCRAFT IND., INC.

THIS DRAWING IS AN APPROXIMATE REPRESENTATION OF THE CONFIGURED REEL AND IS NOT TO SCALE.  
CONTACT REELCRAFT IND., INC. FOR FURTHER DETAIL.

# BEVEL HANDWIND DRIVE ASS'Y



BALLOON #	PART #	PART DESCRIPTION	QTY REQ'D
1	S337-20	SPRING PIN	1
2	SEE B.O.M.	CRANK AND HANDLE ASSY	1
3	SEE B.O.M.	HANDWIND ASSY	1
4	S338-6	NUT, HEX 3/8"-16	2
5	S339-616	WASHER, LOCK 3/8"	2
6	S347-66	SCREW, HEX CAP 3/8"-16	2
7	S350-41	WASHER, 3/8"	4

**REELCRAFT**

2842 E. BUSINESS HWY. 30  
COLUMBIA CITY, IN 46725 USA

INT'L PHONE: 011-260-248-8188  
DOMESTIC TOLL FREE: 1-800-444-3134  
INT'L FAX: 011-260-248-2605

Configured By:  
Reelcraft Configurator  
Rev-1

THIS DOCUMENT CONTAINS PROPRIETARY INFORMATION OF REELCRAFT IND., INC. AND IT SHALL NOT BE DISCLOSED TO OTHERS OR DUPLICATED OR USED FOR OTHERS WITHOUT THE EXPRESS WRITTEN CONSENT OF REELCRAFT IND., INC.

THIS DRAWING IS AN APPROXIMATE REPRESENTATION OF THE CONFIGURED REEL AND IS NOT TO SCALE.  
CONTACT REELCRAFT IND., INC. FOR FURTHER DETAIL.