

Description

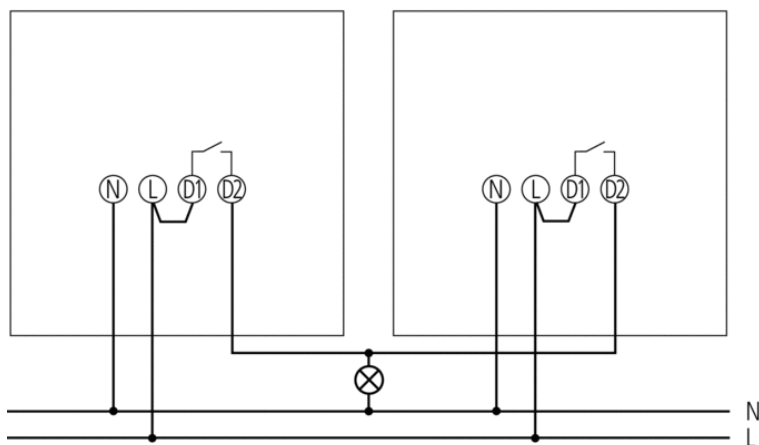
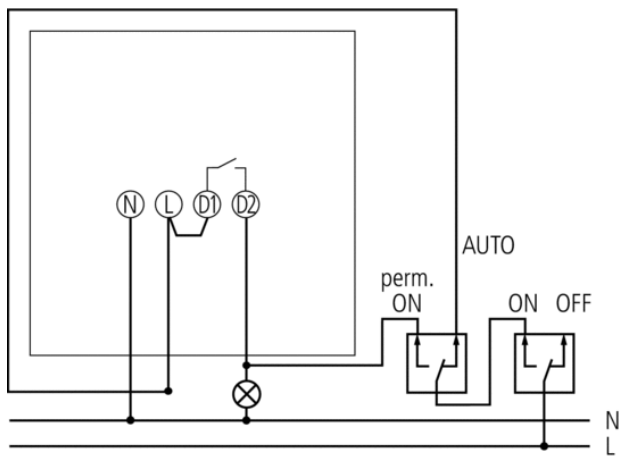
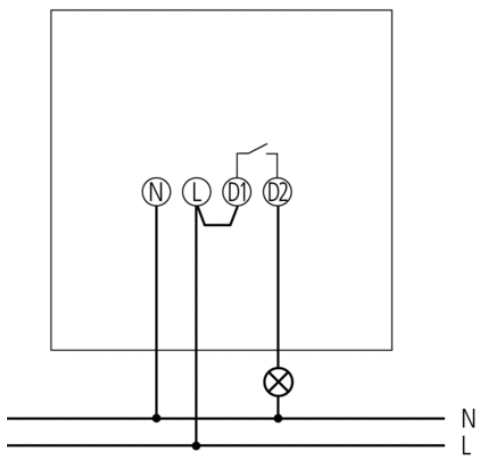
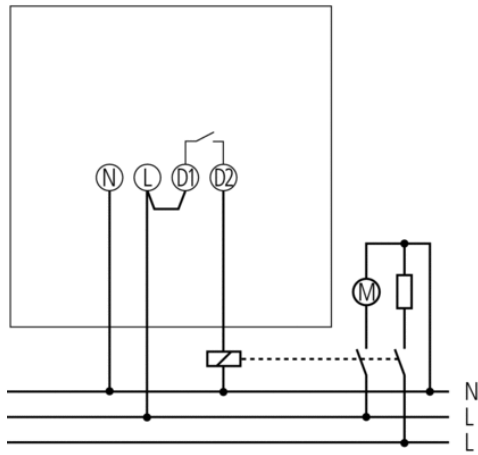


- Motion detector (PIR)
- Automatic lighting control based on presence and brightness
- For installation on walls and ceilings
- 360° detection angle
- Mixed light measurement suitable for the control of fluorescent, incandescent and halogen lamps
- Single-handed plug-in installation with retained screws
- Instant start-up possible via factory preset
- Adjustable brightness switching value and switch-off delay
- Sensitivity can be reduced to limit detection area
- Sensor head can be adjusted vertically by 90° upwards or 70° downwards, thus allowing universal installation
- Creep under protection
- Detection area can be limited using enclosed segments
- Screwless terminals for quick installation
- LUXA corner angle white included

Technical data

Operating voltage	230 V AC
Frequency	50 – 60 Hz
Stand-by consumption	0,9 W
Light measurement	Mixed light measurement
Number of channels	1
Type of contact	NO contact
Installation type	Wall and ceiling installation
Setting range brightness	5 – 1000 lx
Switching capacity light	10 A (at 230 V AC, $\cos \varphi = 1$), 6 A (at 230 V AC, $\cos \varphi = 0.6$), 3 AX (at 230 V AC, $\cos \varphi = 0.3$)
Detection angle	360°
Switching output	Potential-free
Light switch-off delay	5 s-12 min
Incandescent lamp load	1000 W
Fluorescent lamp load (conventional) not corrected	900 VA
Fluorescent lamp load (conventional) parallel-corrected	200 VA
Fluorescent lamp load (conventional) series-corrected	900 VA
Fluorescent lamp load (conventional) lead-lag circuit	400 VA
Fluorescent lamp load (electronic ballast)	400 VA
Lamps	Incandescent/halogen lamps, fluorescent lamps, energy saving lamps, LEDs
Ambient temperature	-15 °C ... +45 °C
Protection class	II
Type of protection	IP 55

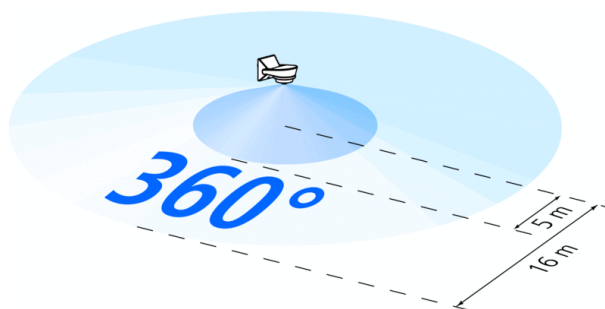
Connection example



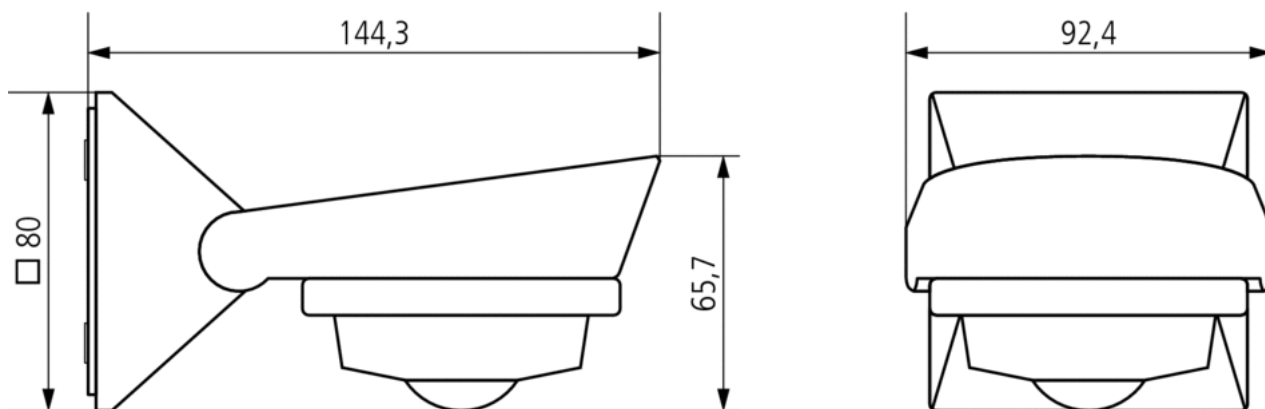
Article number: 1010460

Detection range

Mounting height (A)	Head on to (r)	Diagonally (t)
2,5 m	10 m	32 m



Scale drawings



Accessories

RC filter

- Article number: 9070523
Details ▶ www.theben.de

