

# KQ5012



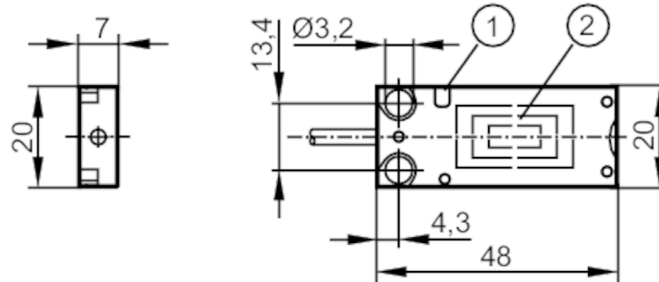
## Capacitive sensor

KQ-3047NBN0G/0,4M/MOLEX

Article to be discontinued

Alternative articles: KQ5100

When selecting an alternative article and accessories please note that technical data may differ!



- 1 LED
- 2 sensing face



### Product characteristics

Electrical design	NPN
Output function	normally closed
Sensing range [mm]	4.7
Housing	rectangular
Dimensions [mm]	20 x 7 x 48

### Application

Application	level detection food and beverage industry
-------------	--

### Electrical data

Operating voltage [V]	10...36 DC
Current consumption [mA]	< 30
Protection class	III
Reverse polarity protection	no
Max. power-on delay time [ms]	300

### Outputs

Electrical design	NPN
Output function	normally closed
Max. voltage drop switching output DC [V]	0.5
Max. leakage current [mA]	0.5
Permanent current rating of switching output DC [mA]	50
Short-time current rating of switching output [mA]	50
Switching frequency DC [Hz]	10
Short-circuit proof	no
Overload protection	no

# KQ5012



## Capacitive sensor

KQ-3047NBN0G/0,4M/MOLEX

Monitoring range		
Sensing range	[mm]	4.7
Accuracy / deviations		
Correction factor		glass: 0.4 / water: 1 / ceramics: 0.2 / PVC: 0.2
Hysteresis	[% of Sr]	1...15
Switch-point drift	[% of Sr]	-20...20
Operating conditions		
Ambient temperature	[°C]	-25...80
Protection		IP 65; IP 67
Tests / approvals		
EMC	EN 61000-4-2	8 kV AD
	EN 61000-4-3	3 V/m
	EN 61000-4-4	2 kV
	EN 61000-4-6	3 V
	EN 55011	class B
Shock resistance	EN 60947-5-2	
MTTF	[years]	735
Mechanical data		
Weight	[g]	32.6
Housing		rectangular
Mounting		non-flush mountable
Dimensions	[mm]	20 x 7 x 48
Material		PBT; TPE-U; stainless steel
Displays / operating elements		
Display	Switching status	1 x LED, yellow
Remarks		
Pack quantity		1 pcs.

# KQ5012



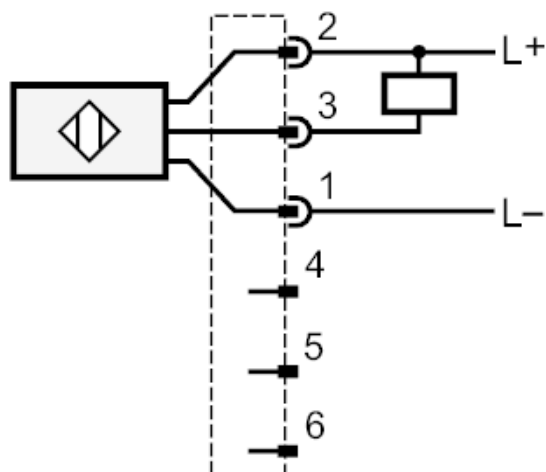
## Capacitive sensor

KQ-3047NBN0G/0,4M/MOLEX

### Electrical connection

Cable: 0.4 m, PUR; 3 x 0.14 mm<sup>2</sup>

### Connection



4: not used

5: not used

6: not used

Connector: 1 x MOLEX