

MODEL NUMBER

73-13563-F2

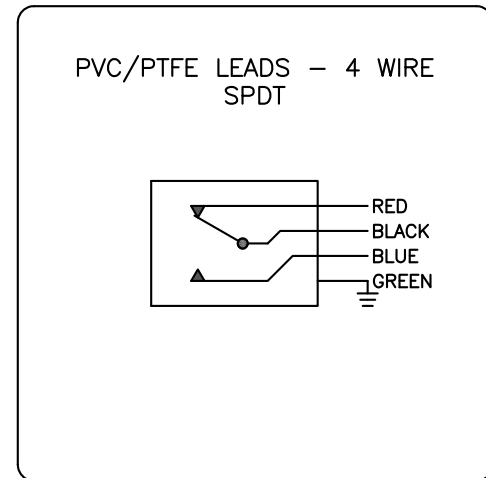
PRODUCT LINE

GO™ Switch 70 Series Hex Head

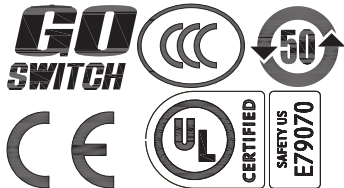
SPECIFICATIONS

Model	73 Model
Contact Form	SPDT
Sensing Range	Approx. 0.1" end sensing
Outlet Position	Bottom of enclosure
Enclosure Material	316L Stainless Steel
Area Classification	UL Cl I, Div 1
Wiring Option	HiTemp leads, Teflon, 3ft
Regional Certification	No Regional Certification
Custom Field	TopWorx Certified: IP 66/67/68, NEMA 4x/6/6P

WIRING DIAGRAM



NAMEPLATE



Ind. Cont. Eq. for Hazardous Locations
 Class I, Division 1, Groups A,B,C,D; Type 4X
 Class II, Division 1, Groups E,F,G; Class III
 120VAC/4A; 24VDC/3A Resistive
 Conduit: 1/2 NPT - Lead Seal Required



Current as of April 27, 2020 – Subject to change without notice.