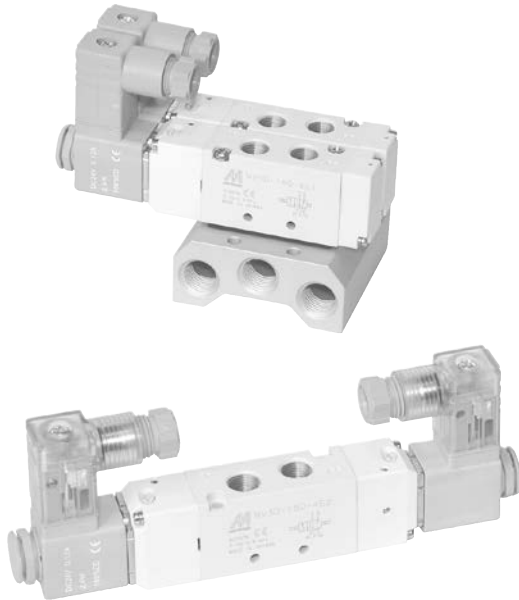


# MVSD-180 series

## SOLENOID VALVE



mindman

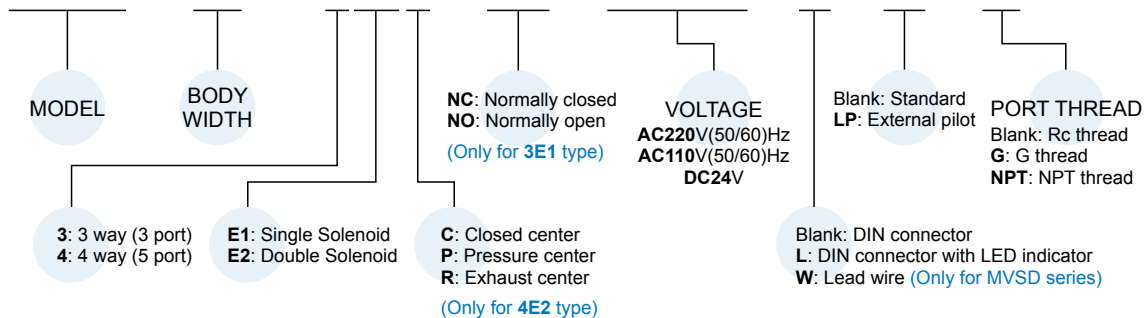


### Specification

Model	3E1	3E2	4E1	4E2	4E2 C.P.R
Bore No.	6A				
Port size	Rc1/8				
No. of port	3		5		
No. of position	2			3	
Medium	Air				
Operating perssure range	0.15~0.8 MPa			0.2~0.7 MPa	
Operating pressue (LP)	0~0.8 MPa			0~0.7 MPa	
External pilot pressure (LP)	0.15~0.8 MPa			0.2~0.7 MPa	
Proof pressure	1 MPa				
Effective orifice	15 mm <sup>2</sup>		12 mm <sup>2</sup>		9 mm <sup>2</sup>
Reponse time	30 ms				
Ambient temperature	-5~+50°C (No freezing)				
Voltage	AC110V, 220V (50/60)Hz, DC24V				
Power consumption	AC=3.7/3.1VA, DC=3W				
Available voltage range	±10%				
Insulation class	F class				
Weight	120 g	172 g	124 g	176 g	190 g

### Order example of valve

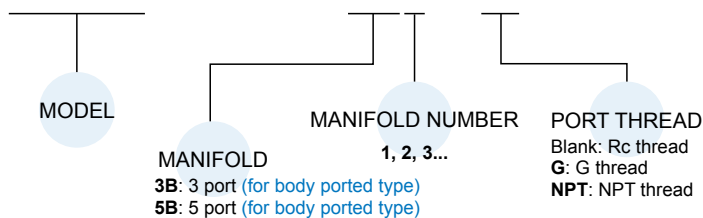
**MVSD – 180 – 4E2C – NC – AC110 – L – LP – G**



### Order example of manifold

\* Use the same manifold with MVSC1.

**MVSC1 – 180 – 3B3 – G**

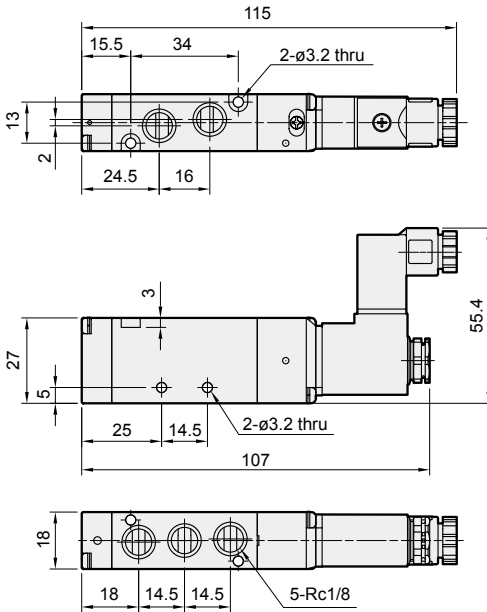
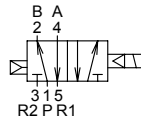


# MVSD-180 Dimensions

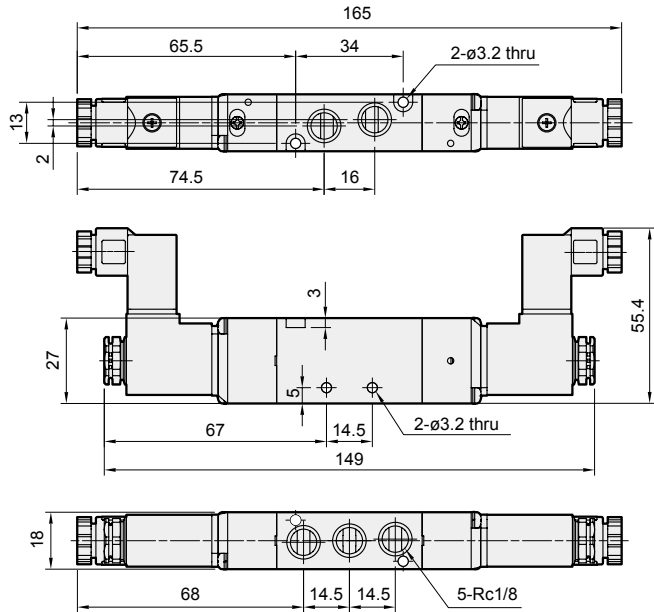
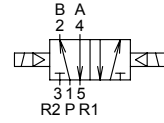
## SOLENOID VALVE



### MVSD-180-4E1



### MVSD-180-4E2

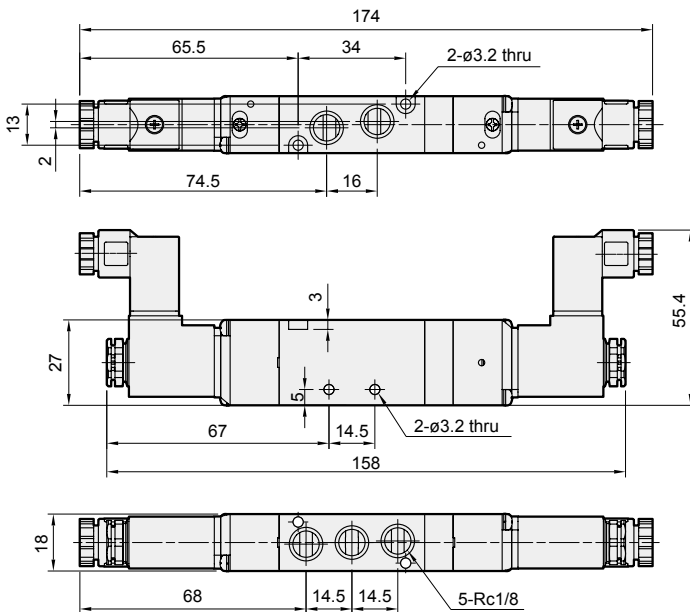
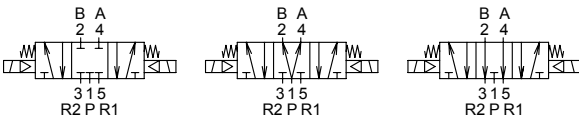


### MVSD-180-4E2C.PR

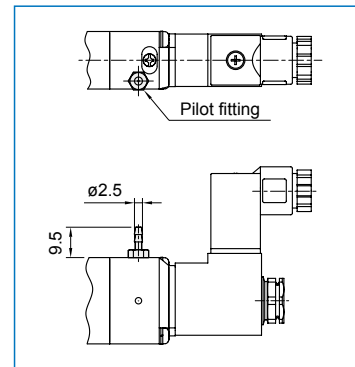
#### MVSD-180-4E2C

#### MVSD-180-4E2P

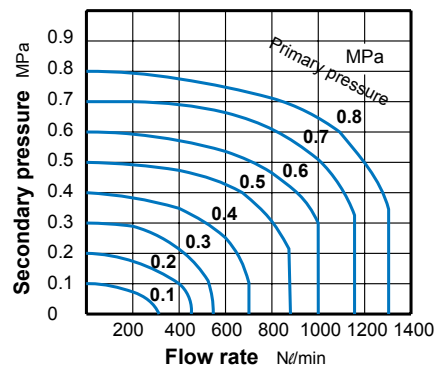
#### MVSD-180-4E2R



### LP



### Flow features



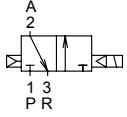
# MVSD-180 Dimensions

SOLENOID VALVE

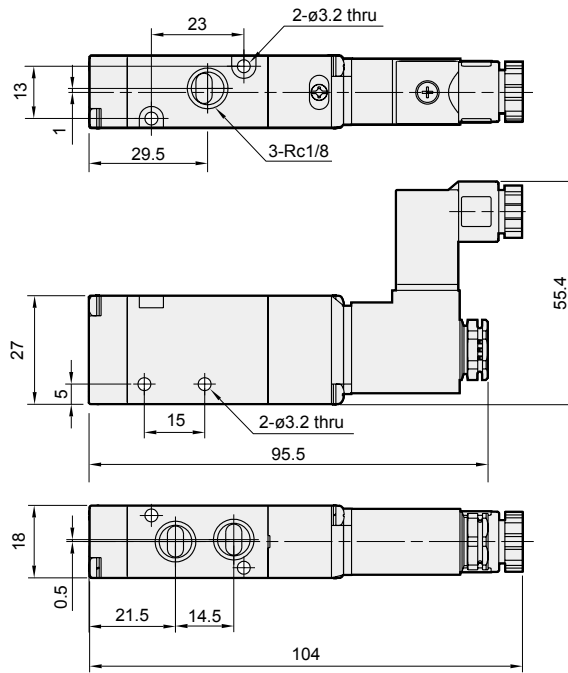
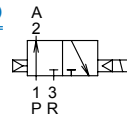


## MVSD-180-3E1-NC/NO

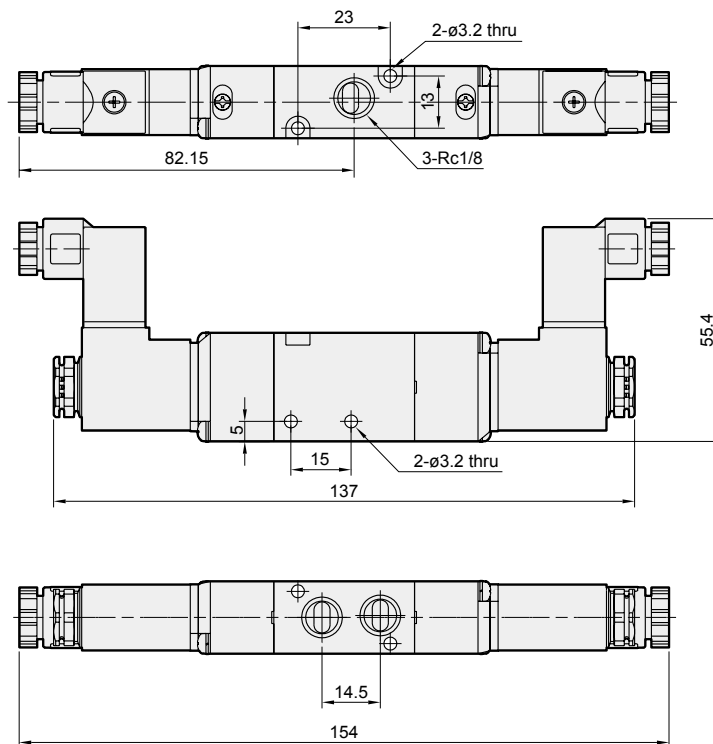
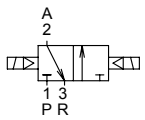
NC



NO



## MVSD-180-3E2



# MVSD-180 Manifold

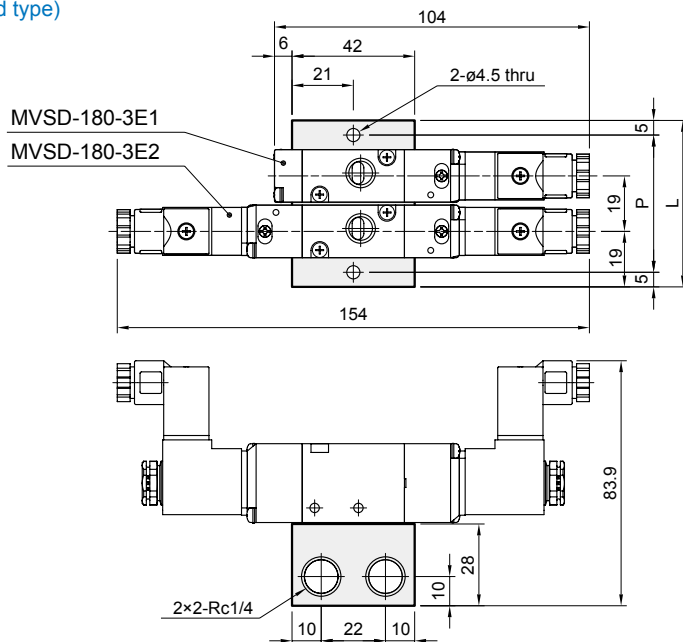
## SOLENOID VALVE



### MVSC1-180-3B\*

\* Use the same manifold with MVSC1.

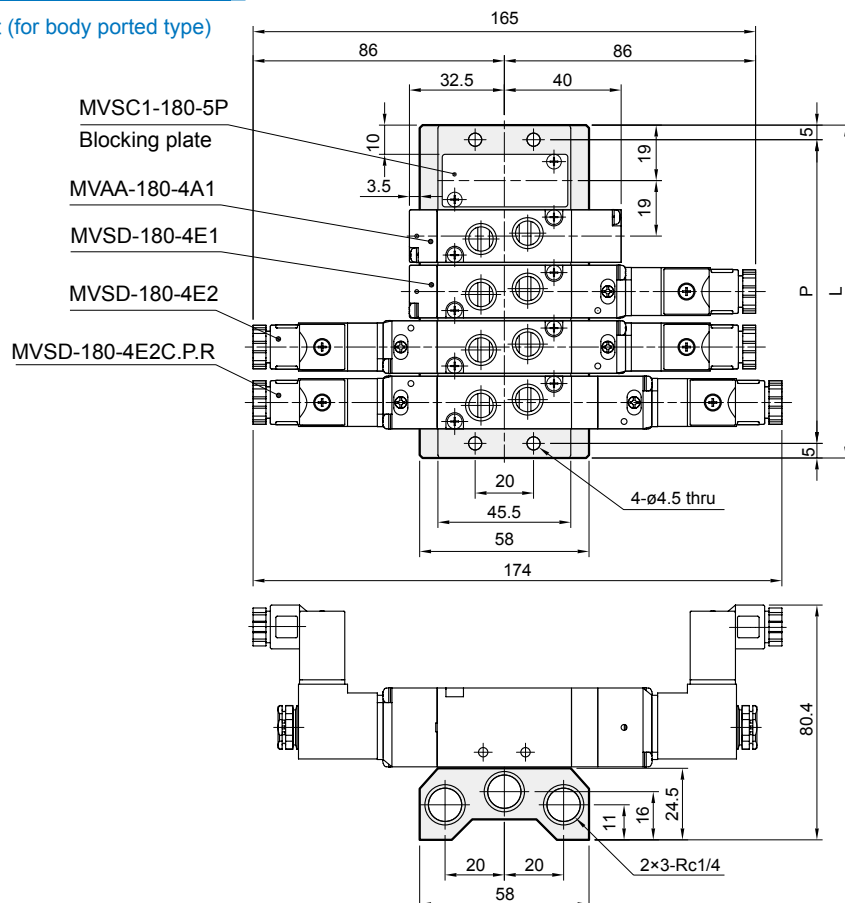
3 port (for body ported type)



No. of stations	P	L
2	47	57
3	66	76
4	85	95
5	104	114
6	123	133
7	142	152
8	161	171
9	180	190
10	199	209

### MVSC1-180-5B\*

5 port (for body ported type)



No. of stations	P	L
2	47	57
3	66	76
4	85	95
5	104	114
6	123	133
7	142	152
8	161	171
9	180	190
10	199	209