

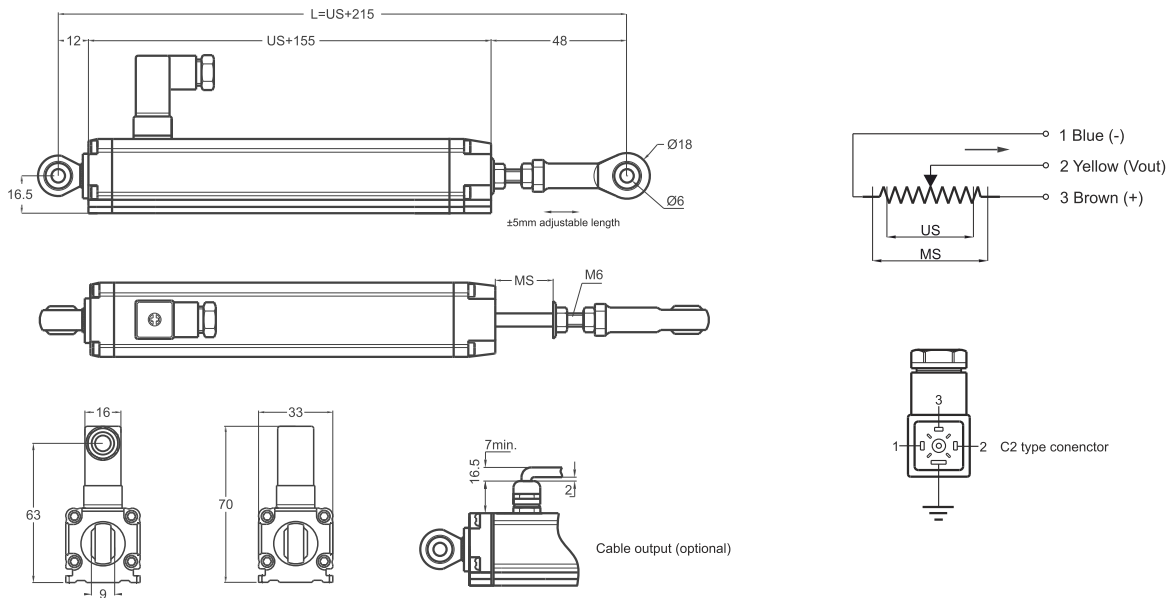
Linear Potentiometer Internal Voltage / Current Conditioner Circuit

- Internal electronic circuit
- Measuring range 50 - 600 mm
- Output 4 - 20 mA, 0 - 20 mA or 0 - 10 V
- Very stable output signal
- Best solution for automation systems
- Excellent repeatability



Technical specifications

Measurement stroke	50 to 600 mm
Linearity	± %0,05 (>200 mm), ±%0,1 (130 - 200 mm), ±%0,2 (75 - 130 mm), ±%0,5 (<75 mm)
Repeatability	< 0.01 mm
Resolution	Infinite
Output	4 - 20 mA, 0 - 20 mA or 0 - 10 V
Permissible applied voltage	15 - 30 VDC
Electrical connections	4 pin connector
Displacement speed	< 5 m/s
Mechanical life	100 million movement
Case dimensions	33 mm x 33 mm
Case material	Anodized aluminium
Rod diameter	Ø6 mm
Rod material	Stainless steel
Mechanical fixing	Ball joints on the both sides
IP degree	IP 65
Operating temperature	-20°C ... +80°C
Storage temperature	-30°C ... +90°C



ERTM (mm)	50	75	100	125	130	150	175	200	225	250	275	300	325	350	375	400	450	500	550	600
US (Usefull Stroke)	50	75	100	125	130	150	175	200	225	250	275	300	325	350	375	400	450	500	550	600
MS (Mechanical Stroke)	53	73	103	128	133	153	178	203	228	253	278	303	328	353	373	403	453	503	553	603
L (Total Length)	265	290	315	340	345	365	390	415	440	465	490	515	540	565	590	615	665	715	765	818

Model	Measurement stroke (mm)	Linearity (%)	Output	Connector / Cable
(example) ERTM	500	D	V10	C2
ERTM	50 ... 600 mm	D: ±%0,05 (>200 mm) ±%0,1 (130 - 200 mm) ±%0,2 (75 - 130 mm) ±%0,5 (<75 mm)	V10: 0 - 10 V I 04: 4 - 20 mA I 20: 0 - 20 mA	C2: 4 pin connector