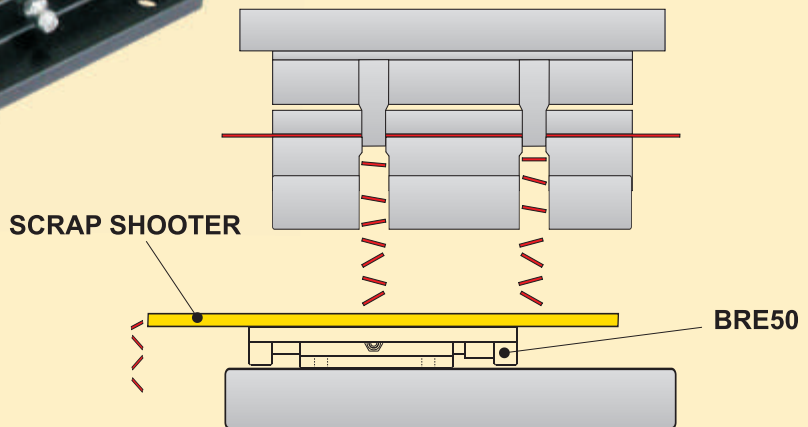
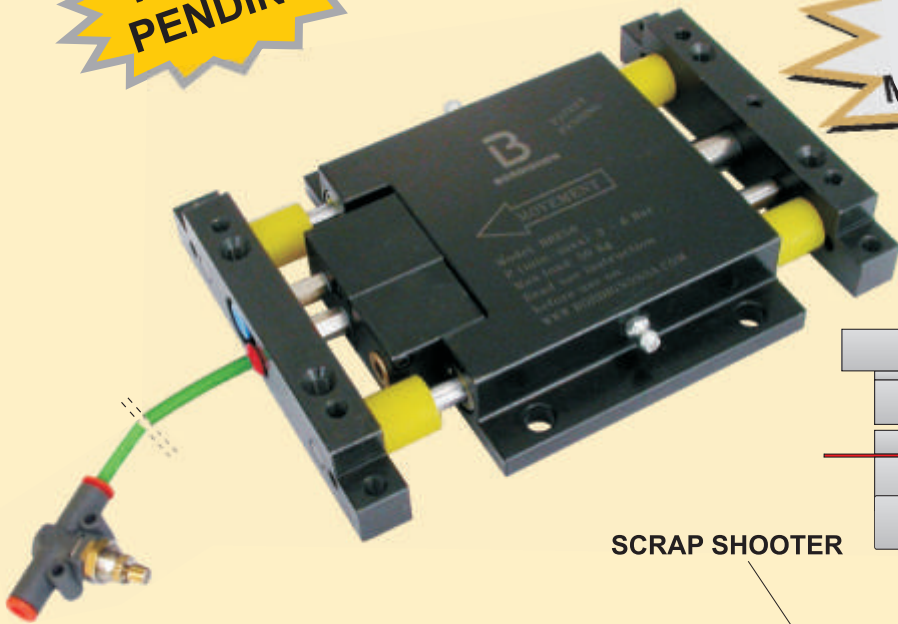


# Air scrap remover

**PATENT  
PENDING**

**HEIGHT: 27 mm  
MAX LOAD: 50 Kg  
MINIMAL AIR CONSUMPTION  
EASY TO USE**



## Functioning:

The BRE 50 works only with compressed air.

The scrap shooter, by moving quickly back and slowly ahead, causes the movement ahead of the scrap. Made to remove the scrap on the dies for cutting and to transport metal components, it is applied in more fields: general metal dies, plastic dies, mechanical industry, food, pharmaceutical, packaging industry and assembly industry.

## Advantages:

- high maximal load
- reduced height (27 mm)
- small dimensions
- minimal air consumption
- transportation: downhill, flat, uphill
- strong against not uniform loads
- low noisiness
- low beginning cost
- reliable and long life
- no maintenance
- lubrication not necessary
- no electrical power
- no replacement of the belt as on conveyor belts
- easy assemblage and use
- the regulation of frequency is easy also in little spaces
- it works also upside down or in different inclinations
- possible to fix more scrap shooters on the same scrap remover
- no limit on the maximal load with the assemblage on tandem of more scrap removers (for example 3 BRE50, in parallel, have a maximal load of  $50 + 50 + 50 = 150$  kg!!!)
- in compliance with RoHS directive - environment friendly
- available on stock



made 100% in Italy

Contact us and we will be pleased to inform you about our local dealer.

[www.bordignonsa.com](http://www.bordignonsa.com)

**Bordignon Trading S.r.l.** : Via Volta, 20 | 36028 Rossano Veneto (VI) Italy

Tel. +39 0424 36157 | Fax. +39 0424 382359 | e-mail: [bordignon@bordignon.com](mailto:bordignon@bordignon.com) | [www.bordignon.com](http://www.bordignon.com)

**Bordignon Simone S.r.l.** :

Via Ramon, 84 | 36028 Rossano Veneto (VI) Italy

Tel. +39 0424 540 311 | Fax +39 0424 541 113

e-mail: [sbordi@tin.it](mailto:sbordi@tin.it) | [www.bordignonsa.com](http://www.bordignonsa.com)

**Technical features of the scrap removers:**

MAX LOAD (kg) with scrap shooter	Fluid	Working pressure (bar)	Working temperature (°C)	Mounting inclination	Noisiness dB (A)
50	Filtered compressed air, not lubricated	Min 3 - Max 6	Min 0 - Max 60	Min 0° - Max -45°	60

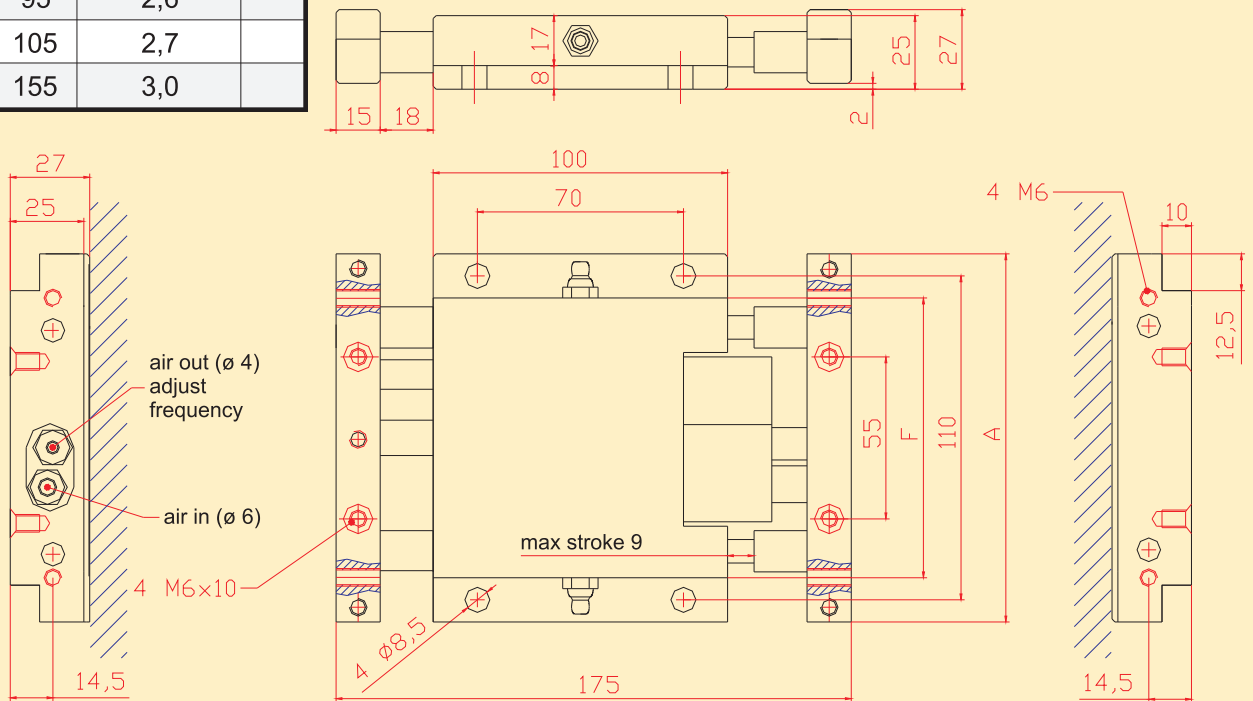
**Air consumption**  
(at 4 bar with 25 Kg)

SPM	30	60	90	200	400
L/min	0,4	0,8	1,2	2,5	4,5

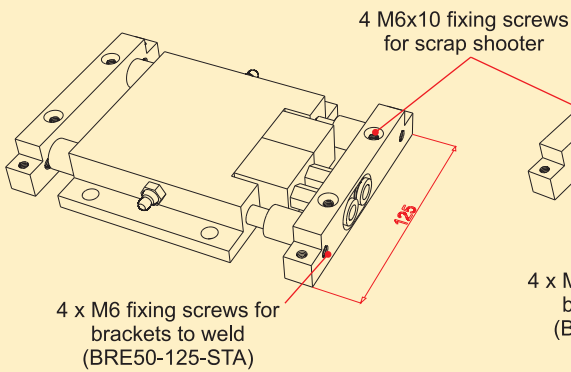
**Standard Model**

Type	A	F	Weight (kg)
BRE50-125	125	95	2,6
BRE50-145	145	105	2,7
BRE50-195	195	155	3,0

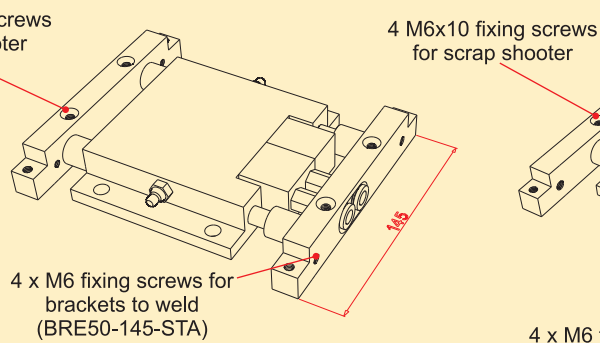
Size in mm



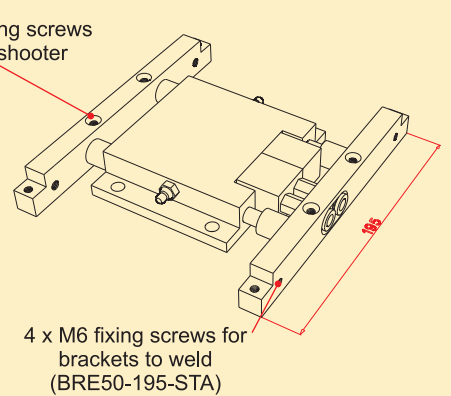
**BRE50-125**



**BRE50-145**



**BRE50-195**

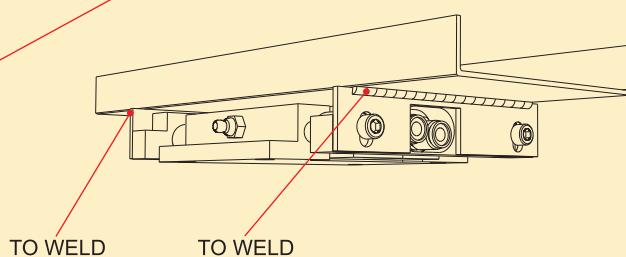
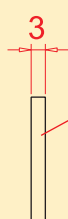
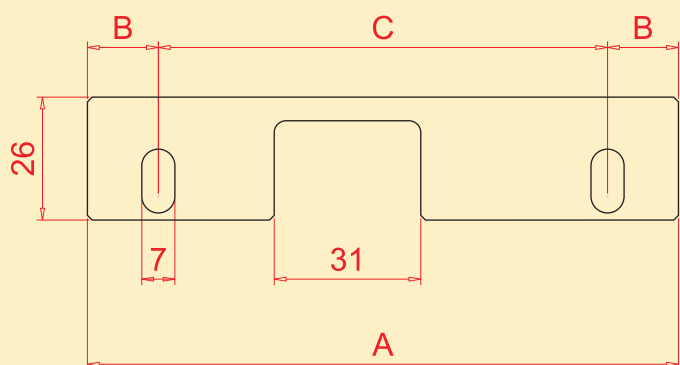
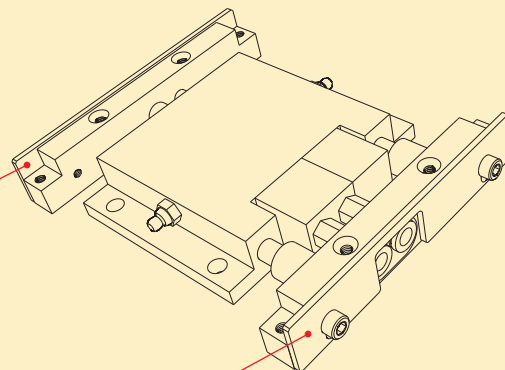
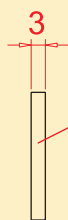
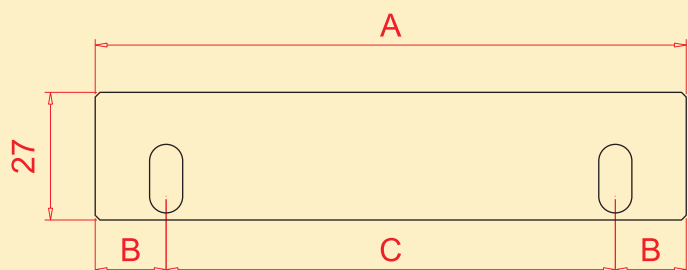


download DWG - DXF files from: [www.bordignonsa.com](http://www.bordignonsa.com)

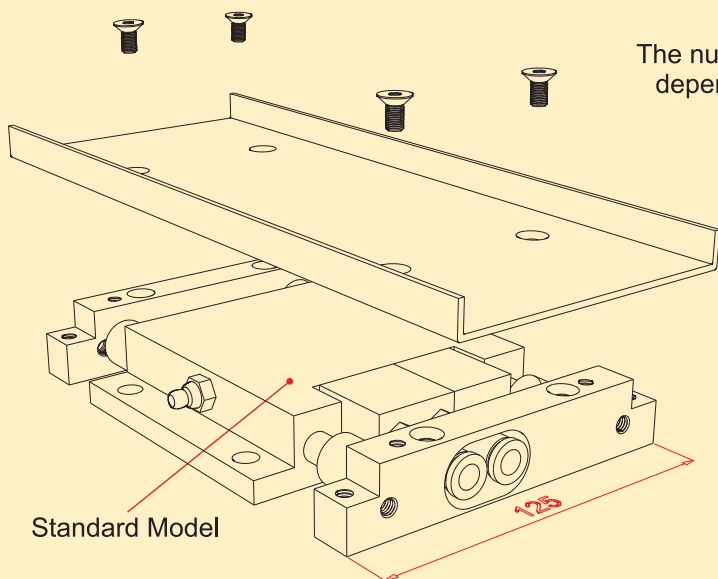
## Way of fixing the scrap shooter with the 2 brackets to weld

Type of brackets*	A	B	C	
BRE50-125-STA	125	15	95	
BRE50-145-STA	145	20	105	
BRE50-195-STA	195	20	155	

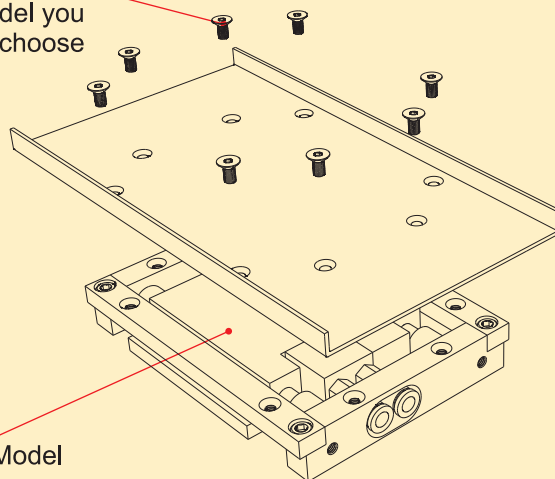
\* for 1 couple



## Way of fixing the scrap shooter with the screws



The number of fixing screws depends on the model you choose



## WARNING: DIMENSIONS OF THE SCRAP SHOOTER

With the standard model BRE50, the maximal width and length of the scrap shooters depend on their thickness. By scrap shooters of excessive dimensions, it is possible that vertical or wave-like vibrations take place and block the correct scrapping of the metal. In those cases, use the examples of assemblages shown at the next pages.

# Special Model

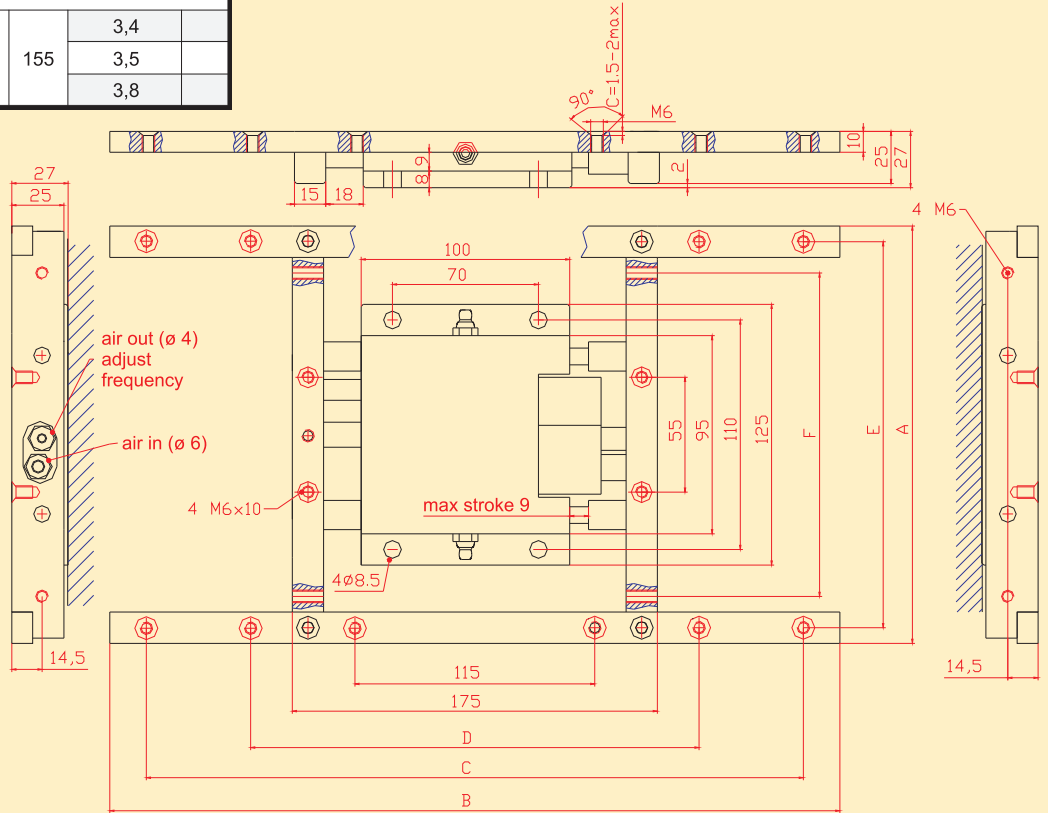
Type	A	B	C	D	E	F	Weight (kg)
BRE50-130-175	130	175	--	--	115	95	3,0
BRE50-130-250		250	215	--			3,1
BRE50-130-350		350	315	215			3,3
BRE50-150-175	150	175	--	--	135	105	3,1
BRE50-150-250		250	215	--			3,2
BRE50-150-350		350	315	215			3,5
BRE50-200-175	200	175	--	--	185	155	3,4
BRE50-200-250		250	215	--			3,5
BRE50-200-350		350	315	215			3,8

What is the model to choose?

The one with the more similar dimensions A and B to the scrap shooter that you will use.

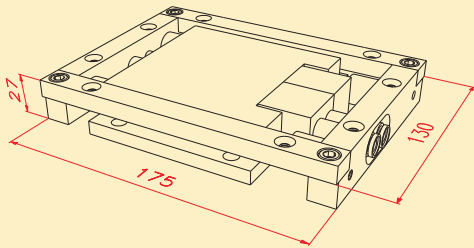
Size in mm

Download DWG - DXF files from:  
[www.bordignonsa.com](http://www.bordignonsa.com)

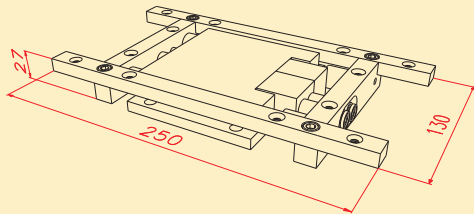


## WIDTH 130

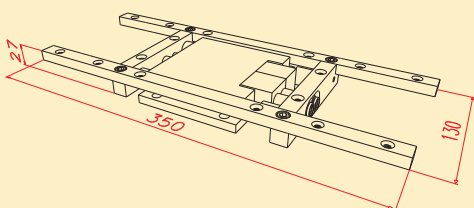
BRE50-130-175



BRE50-130-250

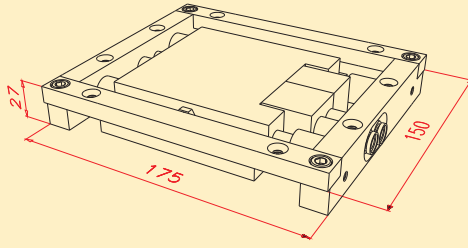


BRE50-130-350

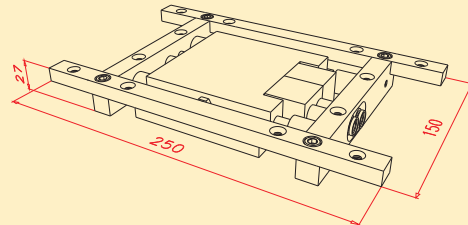


## WIDTH 150

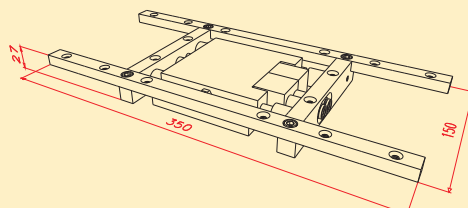
BRE50-150-175



BRE50-150-250

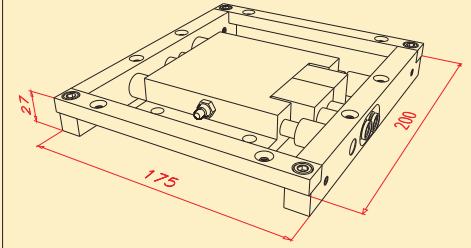


BRE50-150-350

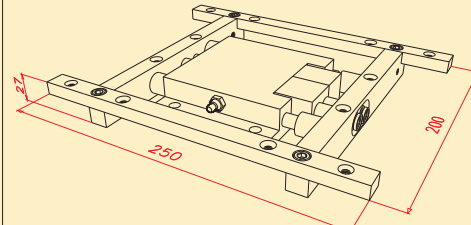


## WIDTH 200

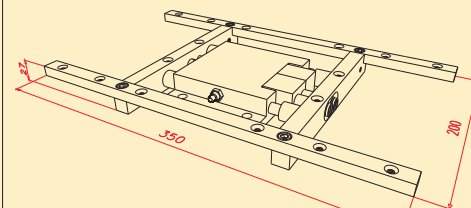
BRE50-200-175



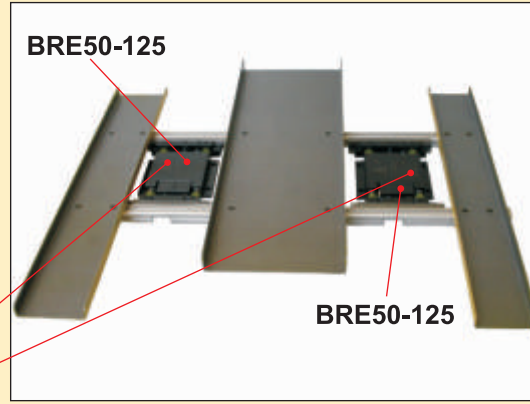
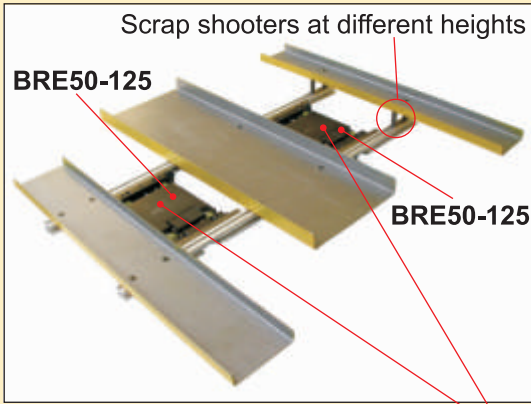
BRE50-200-250



BRE50-200-350



# Examples of assemblages in tandem of more scrap shooters and more scrap removers

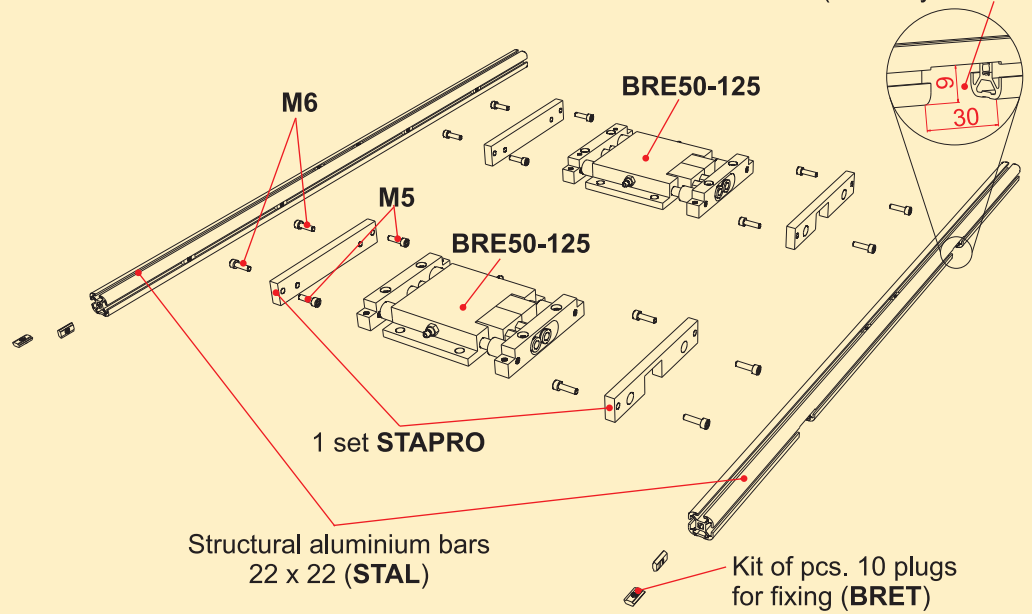
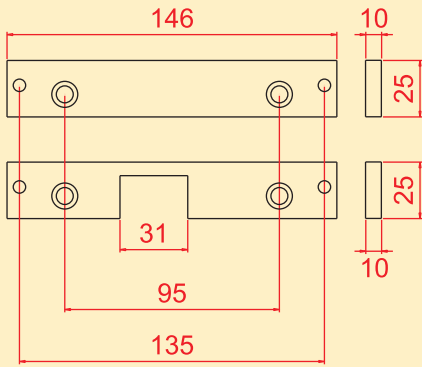


MAX load 100 Kg. with pcs. 2 BRE50-125

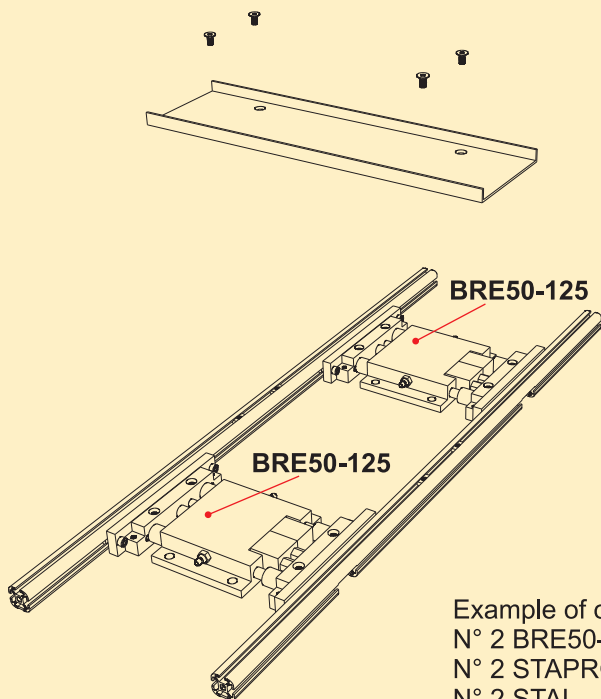
## Assemblage of structural bars STAL and brackets STAPRO for BRE50

Space for pipes for air (made by the user)

### 1 set STAPRO

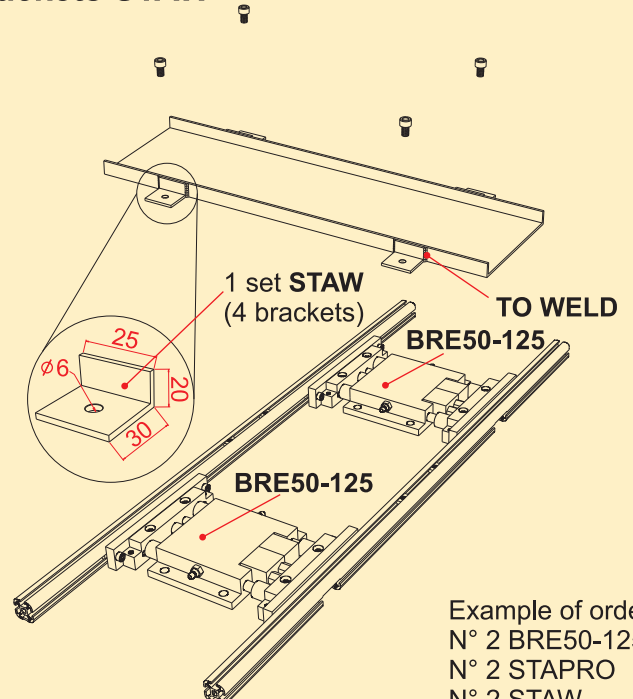


## Assemblage of the scrap shooter with screws



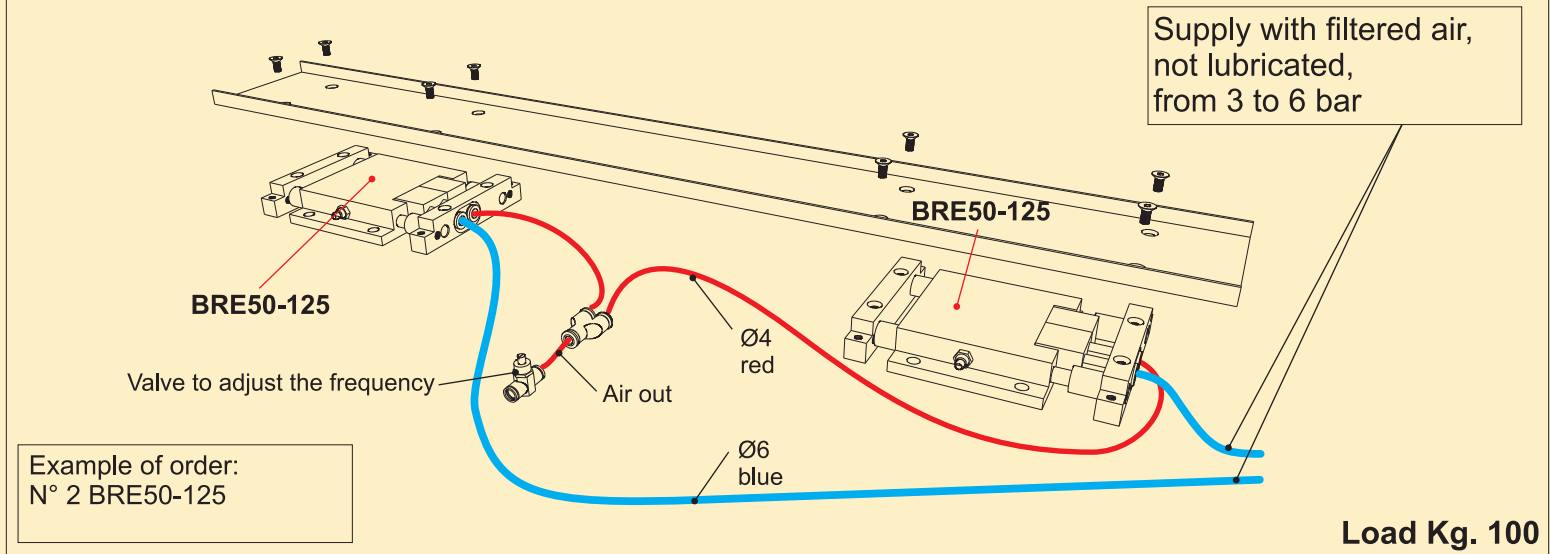
Example of order:  
 N° 2 BRE50-125  
 N° 2 STAPRO  
 N° 2 STAL ..... (mm)  
 N° 1 BRET

## Assemblage of the scrap shooter with brackets STAW

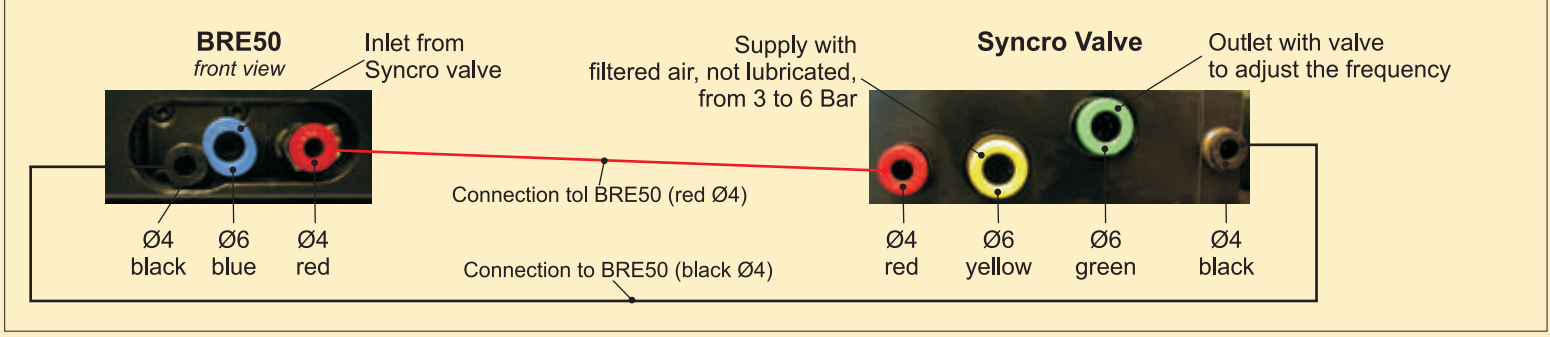
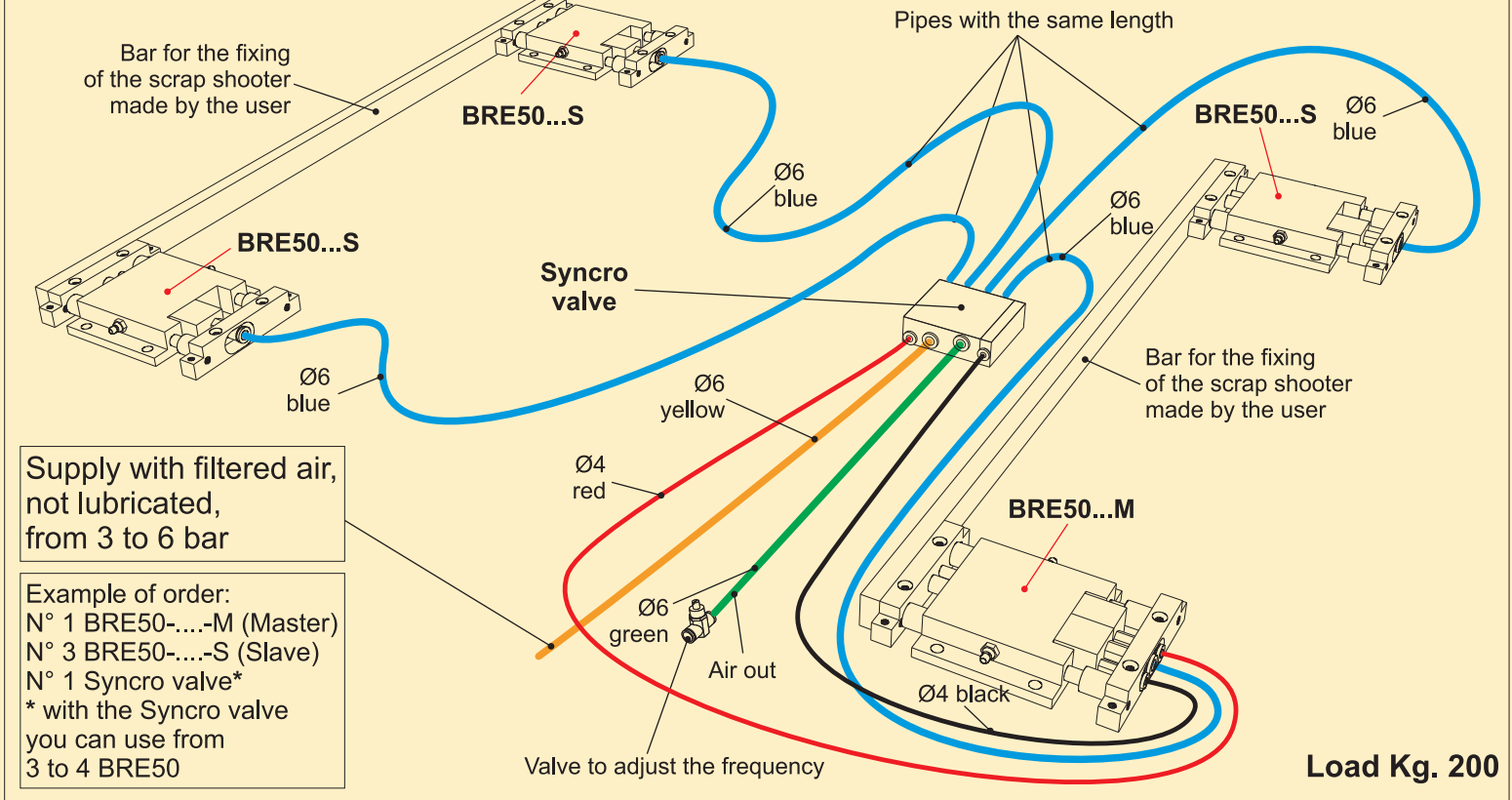


Example of order:  
 N° 2 BRE50-125  
 N° 2 STAPRO  
 N° 2 STAW  
 N° 2 STAL ..... (mm)

# Example of assemblage of one long scrap shooter with two scrap removers. "Series"



# "Series + Parallel"

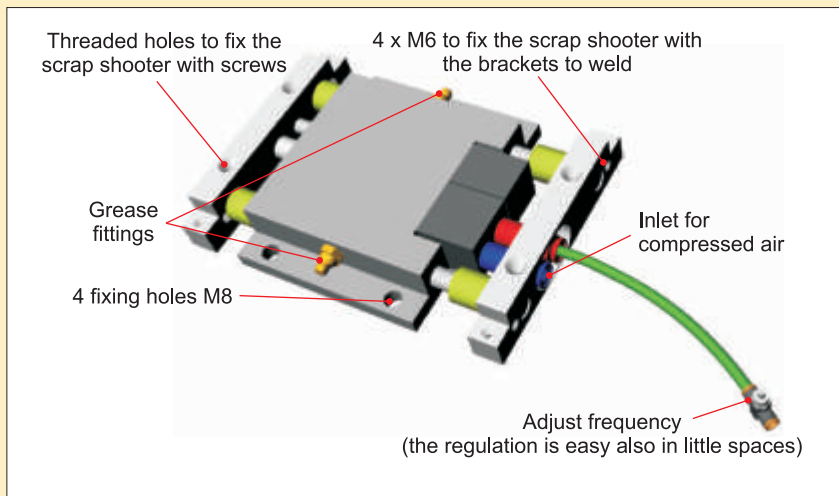


The use of scrap shooters with suitable holes allows to divide pieces with different shapes.

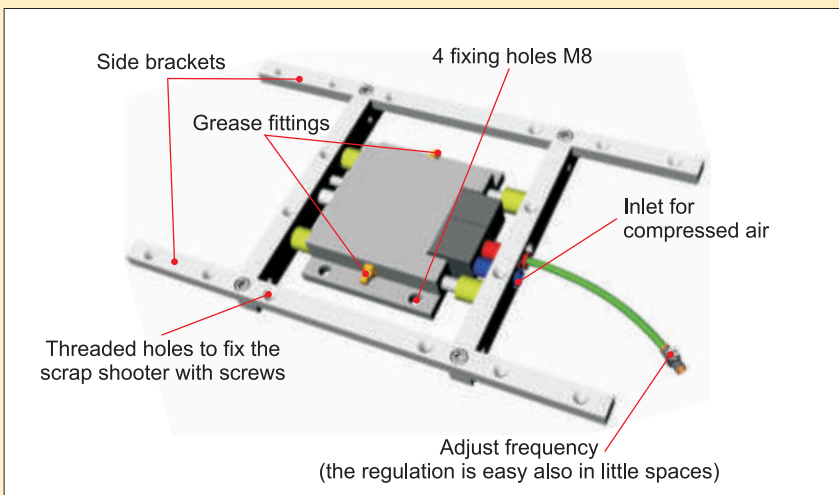
## USE INSTRUCTION

- fix the scrap remover with 4 screws on a solid base. On the special models BRE50-130..., disassemble the side brackets to reach the fixing holes.
- connect the inlet pipe of the compressed air  $\varnothing$  6 mm.
- fix the scrap shooter on the scrap remover. More is the inclination of the scrap shooter or scrap remover, less will be the air consumption.
- the scrap remover begins to move when the compressed air opens.
- adjust the pressure of the compressed air (3-6 bar). Less pressure means less air consumption.
- adjust the frequency. Less frequency means less air consumption. See video on [www.bordignonsa.com](http://www.bordignonsa.com)

## BRE50-125



## BRE50-200-350



**YES**

- filtered, without oil, not damp air
- use a suitable scrap shooter (embossing metal sheet) in case of scrap with oil
- lubrication:
  - when?
    - every month, when working 24 hours per day
    - every 3 months, when working 8 hours per day
  - what lubricant?
    - grease for bearings
  - where to lubricate?
    - inside the 2 grease fittings
  - how much grease?
    - up to it is full up

NOTE: air pressure reducer, air inlet pipe, fixing screws and scrap shooter are not included. Contact our local dealer.

Example of order

nr. 6 BRE50 - 145 - nr. 6 BRE50 - 145 - STA

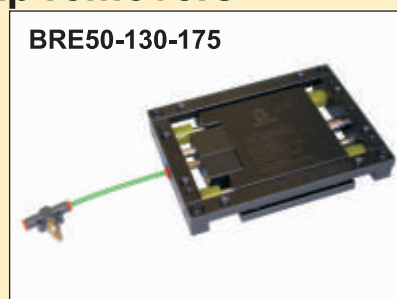
Type of scrap remover with the width

Type of brackets with the width

## Pictures of scrap removers



BRE50-125



BRE50-130-175



BRE50-195



BRE50-200-350