

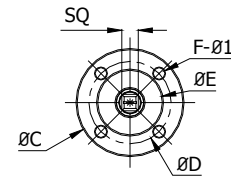
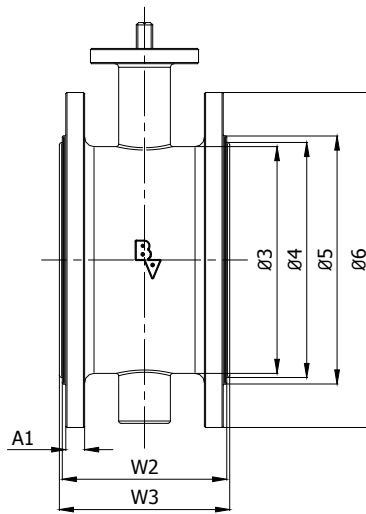
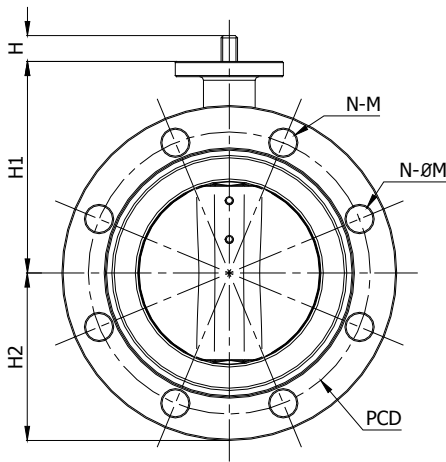
BV14-2425x-2466x - PN10/PN16/A150

Double Flanged Concentric Butterfly Valve

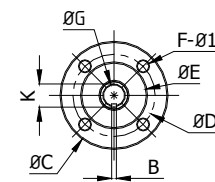


TECHNICAL DESCRIPTION

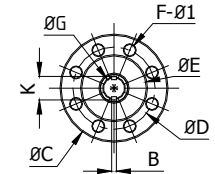
- Double flanged concentric butterfly valve
- Flange connection according to EN 1092-2 - PN 10/16 or ASME/ANSI B16.5 class 150 or ASME/ANSI B16.47 class 150 serie A
- Face to Face dimension according to EN 558-1 series 13, ISO 5752 series 13, DIN 3202 F16, API 609 cat. B, BS 5155 table 6
- Vulcanised seat on the body



NPS2" - NPS12"
TOP FLANGE
SQUARE CONNECTION



NPS14" - NPS24"
TOP FLANGE
SINGLE KEY CONNECTION



NPS28" - NPS40"
TOP FLANGE
DOUBLE KEY CONNECTION

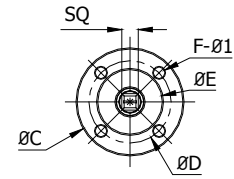
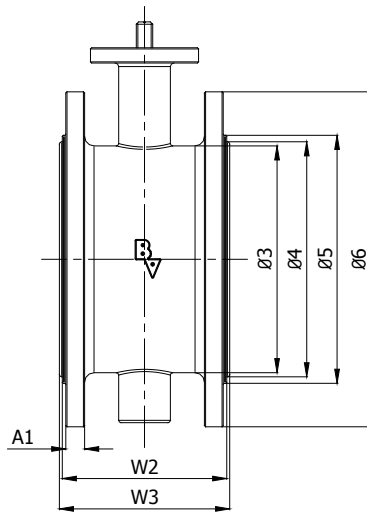
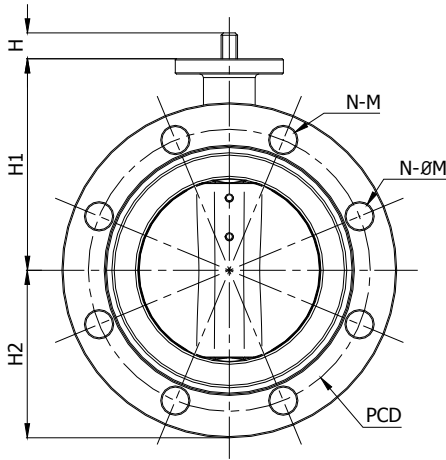
DIMENSIONS																	PN10 / PN16					
DN	NPS	H (mm)	H1 (mm)	H2 (mm)	W2 (mm)	W3 (mm)	A1 (mm)	Ø3 (mm)	Ø4 (mm)	Ø5 (mm)	Ø6 (mm)	ØC (mm)	ØD (mm)	ØG (mm)	B (mm)	K (mm)	ØE (mm)	F-Ø1 (mm)	SQ (mm)	PCD (mm)	N-ØM	N-M
50	2"	22.0	110.0	80.0	108.0	112.0	16.0	Ø88.0	Ø90.0	Ø99.0	Ø165.0	Ø77.0	Ø50.0	-	-	-	Ø35.0	4 - Ø70	11.0	Ø125.0	4 - Ø19.0	-
65	2 1/2"	22.0	134.0	80.0	112.0	116.0	16.0	Ø101.0	Ø110.0	Ø118.0	Ø185.0	Ø77.0	Ø50.0	-	-	-	Ø35.0	4 - Ø70	11.0	Ø145.0	4 - Ø19.0	-
80	3"	22.0	131.0	95.0	114.0	118.0	16.0	Ø114.0	Ø124.0	Ø132.0	Ø200.0	Ø77.0	Ø50.0	-	-	-	Ø35.0	4 - Ø70	11.0	Ø160.0	8 - Ø19.0	-
100	4"	22.0	150.0	114.0	127.0	132.0	16.0	Ø142.0	Ø150.0	Ø156.0	Ø229.0	Ø92.0	Ø70.0	-	-	-	Ø55.0	4 - Ø110.0	14.0	Ø180.0	8 - Ø19.0	-
125	5"	22.0	170.0	113.0	140.0	145.0	16.0	Ø163.0	Ø176.0	Ø184.0	Ø254.0	Ø92.0	Ø70.0	-	-	-	Ø55.0	4 - Ø110.0	14.0	Ø210.0	8 - Ø19.0	-
150	6"	22.0	180.0	139.0	140.0	145.0	16.0	Ø193.0	Ø200.0	Ø211.0	Ø285.0	Ø92.0	Ø70.0	-	-	-	Ø55.0	4 - Ø110.0	14.0	Ø240.0	8 - Ø23.0	-

DIMENSIONS																	PN10					
DN	NPS	H (mm)	H1 (mm)	H2 (mm)	W2 (mm)	W3 (mm)	A1 (mm)	Ø3 (mm)	Ø4 (mm)	Ø5 (mm)	Ø6 (mm)	ØC (mm)	ØD (mm)	ØG (mm)	B (mm)	K (mm)	ØE (mm)	F-Ø1 (mm)	SQ (mm)	PCD (mm)	N-ØM	N-M
200	8"	34.5	210.0	175.0	152.0	158.0	17.0	Ø239.0	Ø258.0	Ø266.0	Ø343.0	Ø125.0	Ø102.0	-	-	-	Ø70.0	4 - Ø12.0	17.0	Ø295.0	8 - Ø23.0	-
250	10"	34.5	245.5	203.0	165.0	171.0	19.0	Ø297.0	Ø310.0	Ø319.0	Ø406.0	Ø125.0	Ø102.0	-	-	-	Ø70.0	4 - Ø12.0	22.0	Ø350.0	12 - Ø23.0	-
300	12"	34.5	276.0	242.0	178.0	184.0	20.5	Ø354.0	Ø362.0	Ø370.0	Ø483.0	Ø140.0	Ø102.0	-	-	-	Ø70.0	4 - Ø12.0	22.0	Ø400.0	12 - Ø23.0	-
350	14"	65.0	328.0	250.0	190.0	196.0	22.5	Ø406.0	Ø422.0	Ø429.0	Ø533.0	Ø140.0	Ø102.0	Ø28.0	8.0	31.0	Ø70.0	4 - Ø10.0	-	Ø460.0	16 - Ø23.0	-
400	16"	75.0	376.0	310.5	216.0	224.0	23.0	Ø438.0	Ø470.0	Ø480.0	Ø597.0	Ø175.0	Ø140.0	Ø38.0	12.0	41.0	Ø100.0	4 - Ø18.0	-	Ø515.0	16 - Ø28.0	-
450	18"	75.0	406.0	332.0	222.0	230.0	26.0	Ø492.0	Ø520.0	Ø530.0	Ø640.0	Ø175.0	Ø140.0	Ø38.0	12.0	41.0	Ø100.0	4 - Ø18.0	-	Ø565.0	20 - Ø28.0	-
500	20"	90.0	433.0	358.0	229.0	237.0	27.5	Ø547.0	Ø572.0	Ø582.0	Ø715.0	Ø170.0	Ø140.0	Ø45.0	14.0	48.5	Ø100.0	4 - Ø18.0	-	Ø620.0	20 - Ø28.0	-
600	24"	100.0	507.5	423.0	267.0	275.0	31.0	Ø652.0	Ø672.0	Ø682.0	Ø840.0	Ø210.0	Ø165.0	Ø55.0	14.0	58.5	Ø130.0	4 - Ø23.0	-	Ø725.0	20 - Ø31.0	-
700	28"	95.0	560.0	478.5	292.0	300.0	34.5	Ø756.0	Ø770.0	Ø794.0	Ø927.0	Ø300.0	Ø254.0	Ø63.35	18.0	71.35	Ø200.0	8 - Ø18.0	-	Ø840.0	20 - Ø31.0	4 - M27
800	32"	95.0	620.0	533.0	318.0	326.0	38.0	Ø866.0	Ø871.0	Ø901.0	Ø1060.0	Ø300.0	Ø254.0	Ø63.35	18.0	71.35	Ø200.0	8 - Ø18.0	-	Ø950.0	24 - Ø34.0	-
900	36"	118.0	692.0	602.0	330.0	340.0	41.5	Ø941.0	Ø972.0	Ø1001.0	Ø1166.0	Ø300.0	Ø254.0	Ø75.0	20.0	84.0	Ø200.0	8 - Ø18.0	-	Ø1050.0	24 - Ø34.0	4 - M30
1000	40"	130.0	735.0	656.0	410.0	420.0	45.0	Ø1048.0	Ø1080.0	Ø1112.0	Ø1289.0	Ø300.0	Ø254.0	Ø85.0	22.0	95.0	Ø200.0	8 - Ø18.0	-	Ø1160.0	28 - Ø37.0	-
1200	48"	150.0	917.0	781.0	470.0	480.0	52.0	Ø1265.0	Ø1270.0	Ø1328.0	Ø1511.0	Ø350.0	Ø298.0	Ø105.0	28.0	117.0	Ø230.0	8 - Ø22.0	-	Ø1380.0	32 - Ø40.0	-

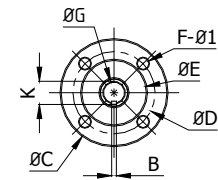


BV14-2425x-2466x - PN10/PN16/A150

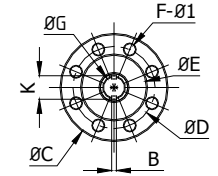
Double Flanged Concentric Butterfly Valve



NPS2" - NPS12"
TOP FLANGE
SQUARE CONNECTION



NPS14" - NPS24"
TOP FLANGE
SINGLE KEY CONNECTION



NPS28" - NPS40"
TOP FLANGE
DOUBLE KEY CONNECTION

DIMENSIONS																			PN16			
DN	NPS	H (mm)	H1 (mm)	H2 (mm)	W2 (mm)	W3 (mm)	A1 (mm)	Ø3 (mm)	Ø4 (mm)	Ø5 (mm)	Ø6 (mm)	ØC (mm)	ØD (mm)	ØG (mm)	B (mm)	K (mm)	ØE (mm)	F-Ø1 (mm)	SQ (mm)	PCD (mm)	N-ØM	N-M
200	8"	34.5	210.0	175.0	152.0	158.0	17.0	Ø239.0	Ø258.0	Ø256.0	Ø343.0	Ø125.0	Ø102.0	-	-	-	Ø70.0	4 - Ø12.0	17.0	Ø295.0	12 - Ø23.0	-
250	10"	34.5	245.5	203.0	165.0	171.0	19.0	Ø297.0	Ø310.0	Ø319.0	Ø406.0	Ø125.0	Ø102.0	-	-	-	Ø70.0	4 - Ø12.0	22.0	Ø355.0	12 - Ø28.0	-
300	12"	34.5	276.0	242.0	178.0	184.0	20.5	Ø354.0	Ø362.0	Ø370.0	Ø483.0	Ø140.0	Ø102.0	-	-	-	Ø70.0	4 - Ø12.0	27.0	Ø410.0	12 - Ø28.0	-
350	14"	65.0	328.0	250.0	190.0	196.0	22.5	Ø406.0	Ø422.0	Ø429.0	Ø533.0	Ø140.0	Ø102.0	Ø28.0	8.0	31.0	Ø70.0	4 - Ø10.0	-	Ø470.0	16 - Ø28.0	-
400	16"	75.0	376.0	310.5	216.0	224.0	23.0	Ø438.0	Ø470.0	Ø480.0	Ø597.0	Ø175.0	Ø140.0	Ø38.0	12.0	41.0	Ø100.0	4 - Ø18.0	-	Ø525.0	16 - Ø31.0	-
450	18"	75.0	406.0	332.0	222.0	230.0	26.0	Ø492.0	Ø538.0	Ø548.0	Ø640.0	Ø175.0	Ø140.0	Ø38.0	12.0	41.0	Ø100.0	4 - Ø18.0	-	Ø585.0	20 - Ø31.0	-
500	20"	90.0	433.0	358.0	229.0	237.0	27.5	Ø547.0	Ø572.0	Ø582.0	Ø715.0	Ø175.0	Ø140.0	Ø45.0	14.0	48.5	Ø100.0	4 - Ø18.0	-	Ø650.0	20 - Ø34.0	-
600	24"	100.0	507.5	423.0	267.0	275.0	31.0	Ø652.0	Ø710.0	Ø720.0	Ø840.0	Ø210.0	Ø165.0	Ø55.0	14.0	58.5	Ø130.0	4 - Ø23.0	-	Ø770.0	20 - Ø37.0	-
700	28"	95.0	560.0	478.5	292.0	300.0	34.5	Ø756.0	Ø770.0	Ø794.0	Ø927.0	Ø300.0	Ø254.0	Ø63.35	18.0	71.35	Ø200.0	8 - Ø18.0	-	Ø840.0	20 - Ø37.0	4 - M33
800	32"	95.0	620.0	533.0	318.0	326.0	38.0	Ø866.0	Ø871.0	Ø901.0	Ø1060.0	Ø300.0	Ø254.0	Ø63.35	18.0	71.35	Ø200.0	8 - Ø18.0	-	Ø950.0	24 - Ø40.0	-
900	36"	118.0	692.0	602.0	330.0	340.0	41.5	Ø941.0	Ø972.0	Ø1001.0	Ø1166.0	Ø300.0	Ø254.0	Ø75.0	20.0	84.0	Ø200.0	8 - Ø18.0	-	Ø1050.0	24 - Ø40.0	4 - M36
1000	40"	130.0	735.0	656.0	410.0	420.0	45.0	Ø1048.0	Ø1080.0	Ø1112.0	Ø1289.0	Ø300.0	Ø254.0	Ø85.0	22.0	95.0	Ø200.0	8 - Ø18.0	-	Ø1170.0	28 - Ø43.0	-
1200	48"	150.0	917.0	781.0	470.0	480.0	52.0	Ø1265.0	Ø1270.0	Ø1328.0	Ø1511.0	Ø350.0	Ø298.0	Ø105.0	28.0	117.0	Ø230.0	8 - Ø22.0	-	Ø1390.0	32 - Ø49.0	-

DIMENSIONS																			ANSI150			
DN	NPS	H (mm)	H1 (mm)	H2 (mm)	W2 (mm)	W3 (mm)	A1 (mm)	Ø3 (mm)	Ø4 (mm)	Ø5 (mm)	Ø6 (mm)	ØC (mm)	ØD (mm)	ØG (mm)	B (mm)	K (mm)	ØE (mm)	F-Ø1 (mm)	SQ (mm)	PCD (mm)	N-ØM	N-M
50	2"	22.0	110.0	80.0	108.0	112.0	16.0	Ø88.0	Ø90.0	Ø99.0	Ø165.0	Ø77.0	Ø50.0	-	-	-	Ø35.0	4 - Ø7.0	11.0	Ø120.6	4 - Ø19.0	-
65	2 1/2"	22.0	134.0	80.0	112.0	116.0	16.0	Ø101.0	Ø110.0	Ø118.0	Ø185.0	Ø77.0	Ø50.0	-	-	-	Ø35.0	4 - Ø7.0	11.0	Ø139.7	4 - Ø19.0	-
80	3"	22.0	131.0	95.0	114.0	118.0	16.0	Ø114.0	Ø124.0	Ø132.0	Ø200.0	Ø77.0	Ø50.0	-	-	-	Ø35.0	4 - Ø7.0	11.0	Ø152.7	8 - Ø19.0	-
100	4"	22.0	150.0	114.0	127.0	132.0	16.0	Ø142.0	Ø150.0	Ø156.0	Ø229.0	Ø92.0	Ø70.0	-	-	-	Ø55.0	4 - Ø10.0	14.0	Ø190.5	8 - Ø19.0	-
125	5"	22.0	170.0	113.0	140.0	145.0	16.0	Ø163.0	Ø176.0	Ø184.0	Ø254.0	Ø92.0	Ø70.0	-	-	-	Ø55.0	4 - Ø10.0	14.0	Ø215.9	8 - Ø22.4	-
150	6"	22.0	180.0	139.0	140.0	145.0	16.0	Ø193.0	Ø200.0	Ø211.0	Ø285.0	Ø92.0	Ø70.0	-	-	-	Ø55.0	4 - Ø10.0	14.0	Ø241.3	8 - Ø22.4	-
200	8"	34.5	210.0	175.0	152.0	158.0	17.0	Ø239.0	Ø258.0	Ø266.0	Ø343.0	Ø125.0	Ø102.0	-	-	-	Ø70.0	4 - Ø12.0	17.0	Ø298.4	8 - Ø22.4	-
250	10"	34.5	245.5	203.0	165.0	171.0	19.0	Ø297.0	Ø310.0	Ø319.0	Ø406.0	Ø125.0	Ø102.0	-	-	-	Ø70.0	4 - Ø12.0	22.0	Ø361.9	12 - Ø25.4	-
300	12"	34.5	276.0	242.0	178.0	184.0	20.5	Ø354.0	Ø362.0	Ø370.0	Ø483.0	Ø140.0	Ø102.0	-	-	-	Ø70.0	4 - Ø12.0	27.0	Ø431.8	12 - Ø25.4	-
350	14"	65.0	328.0	250.0	190.0	196.0	22.5	Ø406.0	Ø422.0	Ø429.0	Ø533.0	Ø140.0	Ø102.0	Ø24.0	8.0	31.0	Ø70.0	4 - Ø10.0	-	Ø476.2	16 - Ø28.4	-
400	16"	75.0	376.0	310.5	216.0	224.0	23.0	Ø438.0	Ø465.0	Ø475.0	Ø597.0	Ø175.0	Ø140.0	Ø38.0	12.0	41.0	Ø100.0	4 - Ø18.0	-	Ø539.7	16 - Ø28.4	-
450	18"	75.0	406.0	332.0	222.0	230.0	26.0	Ø492.0	Ø520.0	Ø530.0	Ø640.0	Ø175.0	Ø140.0	Ø38.0	12.0	41.0	Ø100.0	4 - Ø18.0	-	Ø577.6	16 - Ø32.0	-
500	20"	90.0	433.0	358.0	229.0	237.0	27.5	Ø547.0	Ø572.0	Ø582.0	Ø715.0	Ø170.0	Ø140.0	Ø45.0	14.0	48.5	Ø100.0	4 - Ø18.0	-	Ø635.0	20 - Ø31.6	-
600	24"	100.0	507.5	423.0	267.0	275.0	31.0	Ø652.0	Ø710.0	Ø690.0	Ø840.0	Ø210.0	Ø165.0	Ø55.0	14.0	58.5	Ø130.0	4 - Ø23.0	-	Ø749.3	20 - Ø35.1	-
700	28"	95.0	560.0	478.5	292.0	300.0	34.5	Ø756.0	Ø770.0	Ø800.0	Ø927.0	Ø300.0	Ø254.0	Ø63.35	18.0	71.35	Ø200.0	8 - Ø18.0	-	Ø863.6	24 - Ø35.1	4 - 1 1/4-7UNC
750	30"	95.0	610.0	508.0	318.0	326.0	38.0	Ø814.0	Ø827.0	Ø857.0	Ø1025.0	Ø300.0	Ø254.0	Ø63.35	18.0	71.35	Ø200.0	8 - Ø18.0	-	Ø914.4	24 - Ø35.1	4 - 1 1/4-7UNC
800	32"	95.0	620.0	533.0	318.0	326.0	38.0	Ø866.0	Ø871.0	Ø905.0	Ø1060.0	Ø300.0	Ø254.0	Ø75.0	18.0	71.35	Ø200.0	8 - Ø18.0	-	Ø977.9	28 - Ø41.1	-
900	36"	118.0	692.0	602.0	330.0	340.0	41.5	Ø941.0	Ø972.0	Ø1001.0	Ø1168.0	Ø300.0	Ø254.0	Ø75.0	20.0	84.0	Ø200.0	8 - Ø18.0	-	Ø1085.8	28 - Ø41.1	4 - 1 1/4-6UNC - 2B
1000	40"	130.0	735.0	656.0	410.0	420.0	45.0	Ø1048.0	Ø1080.0	Ø1112.0	Ø1289.0	Ø300.0	Ø254.0	Ø85.0	22.0	95.0	Ø200.0	8 - Ø18.0	-	Ø1200.1	36 - Ø41.1	-
1200	48"	150.0	917.0	781.0	470.0	480.0	52.0	Ø1265.0	Ø1270.0	Ø1326.0	Ø1511.0	Ø350.0	Ø298.0	Ø105.0	26.0	117.0	Ø230.0	8 - Ø22.0	-	Ø1422.5	44 - Ø41.1	-



BV14-2425x-2466x - PN10/PN16/A150

Double Flanged Concentric Butterfly Valve

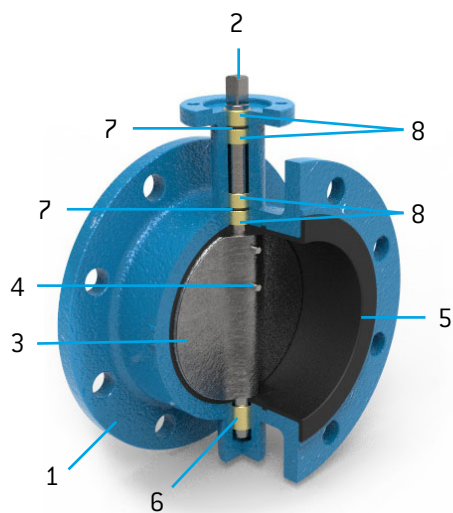


MATERIALS		2425E	2466E	
Nr	PART NAME	MATERIALS	MATERIALS	QTY
1	BODY	GGG40	GGG40	1
2	SHAFT	AISI416	AISI416	1
3	DISC	GGG40 NICKEL PLATED	CF8M	1
4	PIN	STAINLESS STEEL	STAINLESS STEEL	1 or 2
5	SEAT	EPDM (*)	EPDM (*)	1
6	LONG BUSHING	LUBRICATE BRONZE	LUBRICATE BRONZE	1
7	O-RING	EPDM (*)	EPDM (*)	2
8	SHORT BUSHING	LUBRICATE BRONZE	LUBRICATE BRONZE	4
9	KEY	STEEL	STEEL	1 or 2
10	BEARING (**)	EPDM	EPDM	1
11	O-RING	EPDM (*)	EPDM (*)	1
12	COVER	GGG40	GGG40	1
13	BOLT	STEEL	STEEL	2 or 4
14	WASHER	STEEL	STEEL	2 or 4

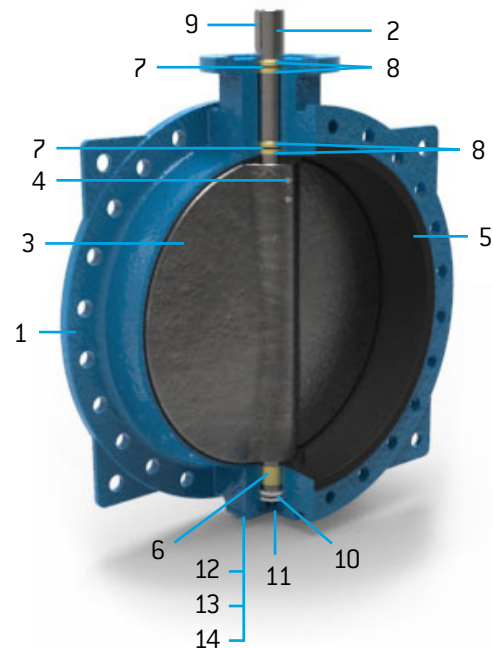
(*) Additional seats / o-rings are available upon request (EPDM HT / NBR / PTFE / SILICONE / FKM)

(**) DN600 to DN1200

DN050 - DN300 - (NPS2" - NPS12")



DN350 - DN1200 - (NPS14" - NPS40")



OPERATING OPTIONS

- MANUAL : standard lever, fail safe lever, gearbox, lockable gearbox,
- PNEUMATIC : single acting, double acting
- ELECTRIC : all tensions, all protection classes
- ACCESSORIES : stem extensions, visual indicators, solenoid valves, limit switches, positioners, manual override,...

