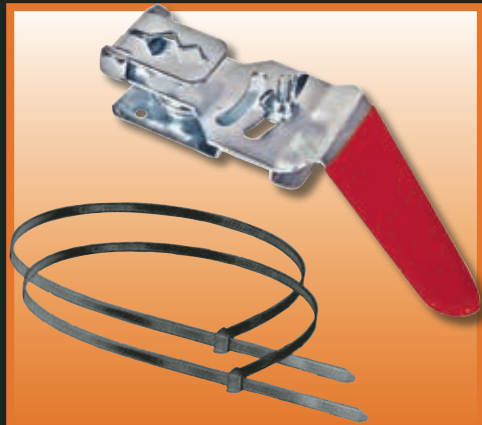
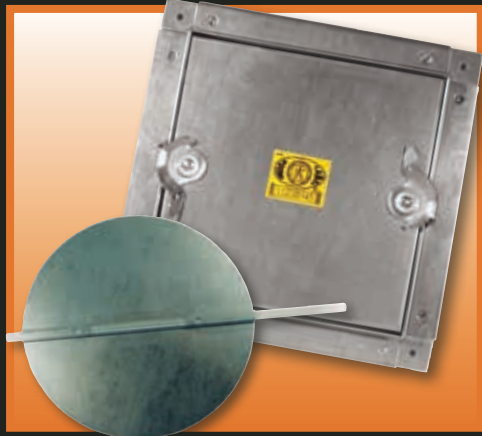
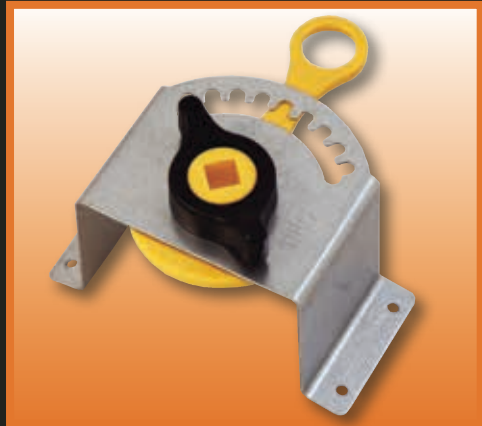




# AIR REGULATION CONTROL EQUIPMENT



# PRODUCT CATALOG



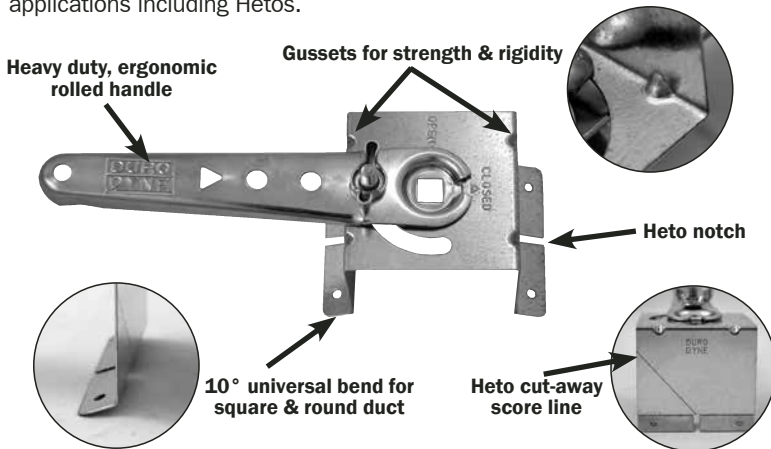
# TABLE OF CONTENTS

- UNIVERSAL STANDOFF REGULATORS.....2
- DURO-TWIST REGULATORS.....2
- STANDOFF REGULATORS.....3-4
- QUADLINE DAMPER QUADRANTS.....4-5
- SPEC-SEAL™ UNIVERSAL DAMPER REGULATOR.....5
- UNIVERSAL REGULATOR.....5
- SPEC SEAL END BEARING SUPPORT KITS.....5
- STAMPLINE REGULATORS.....6
- SPECLINE REGULATORS & DAMPER PARTS.....7-8
- END BEARINGS.....9
- JIFFY DAMPERS.....9
- HAMMER ON DAMPER HARDWARE & ACCESSORIES.....10
- MULTI-BLADE DAMPER HARDWARE.....11
- BLADE EDGING.....12

- SIDE SEALS.....12
- MULTI-BLADE DAMPER PARTS.....12-13
- ACCESS DOORS.....14
- ACCESS DOOR LOCKING DEVICES.....15
- GASKETING.....15
- INSTRUMENT TEST PORT.....16
- HINGES.....16
- FIRE DAMPER HARDWARE.....16
- HANGING STRAP.....16
- DYN-O-TIES.....17
- DYN-O-TIE GUN.....17
- STAINLESS STEEL DYNA-CLAMPS™.....18
- STAINLESS STEEL PARTS.....18-19

## UNIVERSAL STANDOFF REGULATORS

The Universal Economy Standoff Regulator from Duro Dyne is a hand operated elevated regulator designed for use with 1/4" or 3/8" square rod on externally insulated duct. The unique 10 degree foot allows the same regulator to be used on both square or round ductwork, alleviating the need to stock multiple regulators. It is offered in four standoff heights: 1", 1-1/2", 2" & 3". The handle is locked in place with a heavy duty high torque stamped wing nut and clearly shows damper position with embossed designations for open and closed. Reinforcing gussets in four locations add to the rigidity of this regulator. An optional score and Heto Notch allows the UESO to work for multiple damper fitting applications including Hetos.

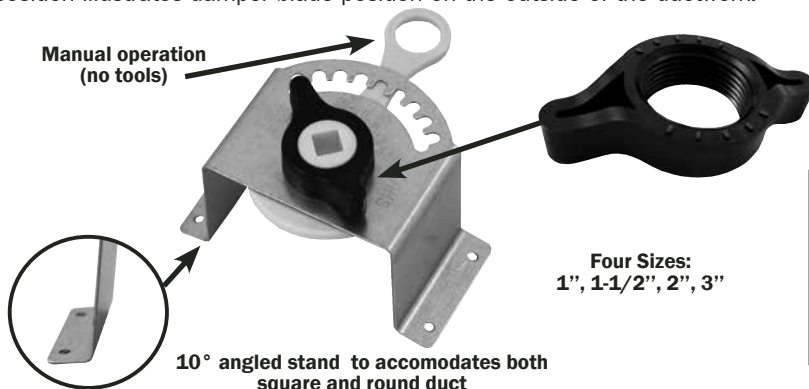


UESO - UNIVERSAL ESO			
ITEM#	CODE	SHAFT SIZE	STAND HEIGHT
6369	UESO-14-100	1/4" sq.	1"
6370	UESO-14-150	1/4" sq.	1-1/2"
6371	UESO-14-200	1/4" sq.	2"
6372	UESO-14-300	1/4" sq.	3"
6373	UESO-38-100	3/8" sq.	1"
6374	UESO-38-150	3/8" sq.	1-1/2"
6375	UESO-38-200	3/8" sq.	2"
6376	UESO-38-300	3/8" sq.	3"
6377	UESO-12-100	1/2" sq.	1"
6378	UESO-12-150	1/2" sq.	1-1/2"
6379	UESO-12-200	1/2" sq.	2"
6380	UESO-12-300	1/2" sq.	3"

Seal Kits Sold Separately.

## DURO-TWIST™ REGULATORS

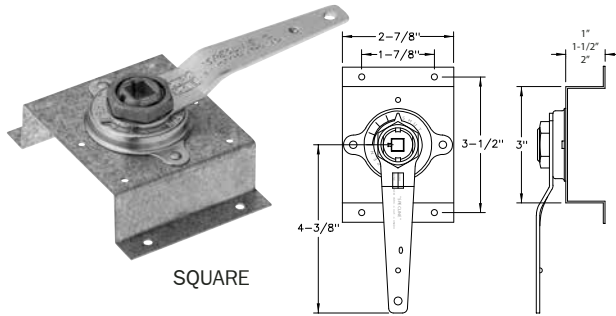
The Duro-Twist is a hand operated elevated regulator designed for use with square rod on both square and round externally insulated duct. It is offered in four standoff heights: 1", 1-1/2", 2" & 3". The Duro-Twist is engineered with a strong friction resistance so it stays set without any need to lock it in place. The high visibility yellow handle allows it to be easily found in the field on wrapped duct. The handle position illustrates damper blade position on the outside of the ductwork.



DURO-TWIST			
ITEM#	CODE	SHAFT SIZE	STAND HEIGHT
7071	DT38100B	3/8" sq.	1"
7072	DT38150B	3/8" sq.	1-1/2"
7073	DT38200B	3/8" sq.	2"
7075	DT38300B	3/8" sq.	3"

# STANDOFF REGULATORS

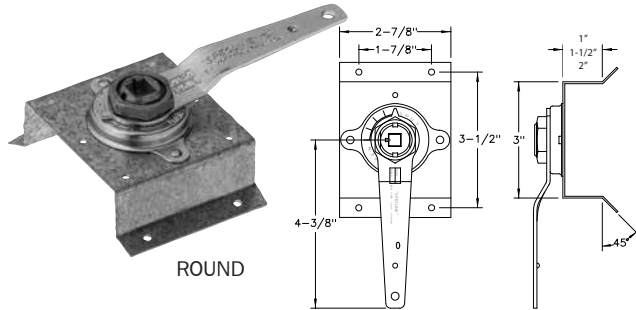
## STANDOFF WITH *STAMPLINE* REGULATOR



SQUARE

SRST SERIES FOR SQUARE DUCT			
ITEM#	CODE	SHAFT SIZE	STAND HEIGHT
8184	SRST 1-148 w/SRHS-148	1/4" sq.	1"
8318	SRST 1-1/2-148 w/SRHS-148	1/4" sq.	1-1/2"
8196	SRST 2-148 w/SRHS-148	1/4" sq.	2"
8019	SRST 1-388 w/SRHS-388	3/8" sq.	1"
8020	SRST 1-1/2-388 w/SRHS-388	3/8" sq.	1-1/2"
8021	SRST 2-388 w/SRHS-388	3/8" sq.	2"

Packed 10 Per Carton.

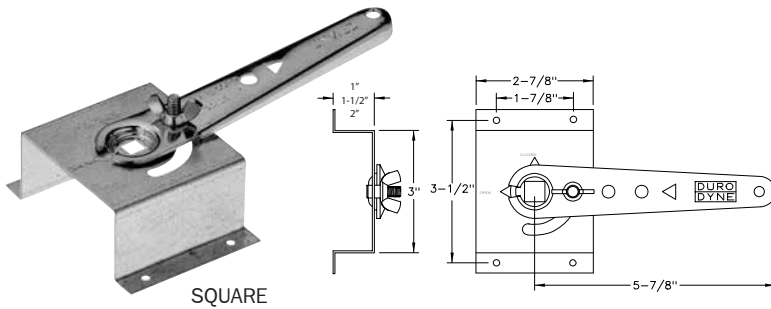


ROUND

SRST SERIES FOR ROUND DUCT			
ITEM#	CODE	SHAFT SIZE	STAND HEIGHT
7353	SRST1R-148 w/SRHS-148	1/4" sq.	1"
7354	SRST1-1/2R-148 w/SRHS-148	1/4" sq.	1-1/2"
7355	SRST2R-148 w/SRHS-148	1/4" sq.	2"
7350	SRST1R-388 w/SRHS-388	3/8" sq.	1"
7351	SRST1 1/2R-388 w/SRHS-388	3/8" sq.	1-1/2"
7352	SRST2R-388 w/SRHS-388	3/8" sq.	2"

Packed 10 Per Carton.

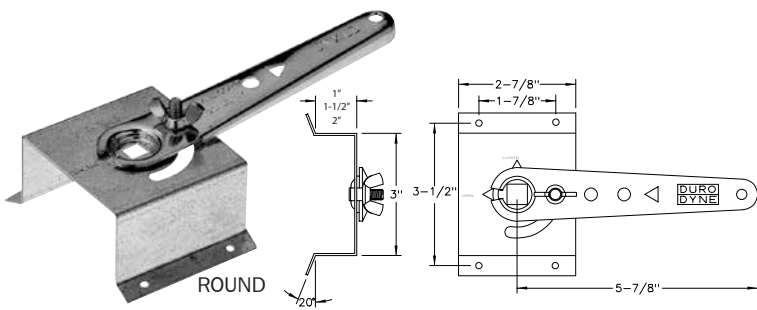
## STANDOFF WITH ECONOMY HANDLE



SQUARE

ESO SERIES FOR SQUARE DUCT			
ITEM#	CODE	SHAFT SIZE	STAND HEIGHT
7201	ESO-14-100	1/4" sq.	1"
7203	ESO-14-150	1/4" sq.	1-1/2"
7205	ESO-14-200	1/4" sq.	2"
7207	ESO-38-100	3/8" sq.	1"
7209	ESO-38-150	3/8" sq.	1-1/2"
7211	ESO-38-200	3/8" sq.	2"
7213	ESO-12-100	1/2" sq.	1"
7215	ESO-12-150	1/2" sq.	1-1/2"
7217	ESO-12-200	1/2" sq.	2"

Seal Kits Sold Separately. Packed 10 Per Carton.



ROUND

ESO SERIES FOR ROUND DUCT			
ITEM#	CODE	SHAFT SIZE	STAND HEIGHT
7202	ESO14R-100	1/4" sq.	1"
7204	ESO14R-150	1/4" sq.	1-1/2"
7206	ESO14R-200	1/4" sq.	2"
7208	ESO38R-100	3/8" sq.	1"
7210	ESO38R-150	3/8" sq.	1-1/2"
7212	ESO38R-200	3/8" sq.	2"
7214	ESO12R-100	1/2" sq.	1"
7216	ESO12R-150	1/2" sq.	1-1/2"
7218	ESO12R-200	1/2" sq.	2"

Seal Kits Sold Separately. Packed 10 Per Carton.

## SEAL FOR STANDOFF WITH ECONOMY HANDLE



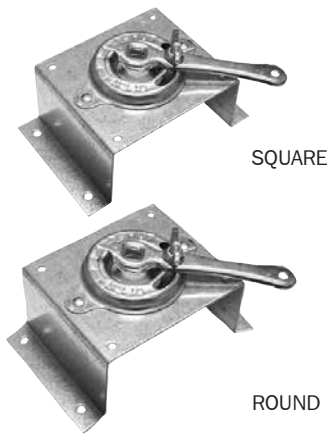
SESO-38-214

ESO SEAL		
ITEM#	CODE	FOR USE WITH STAND HEIGHT
7245	SESO-38-214	2"

Seal is always 1/4" larger for tighter seal.

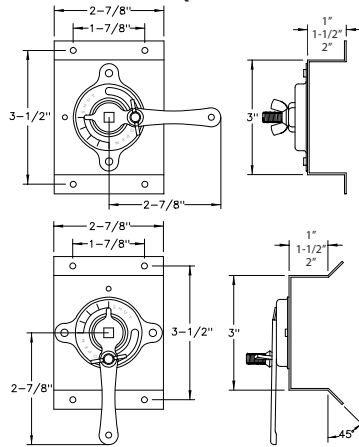
# STANDOFF REGULATORS (CONTINUED)

## STANDOFF WITH 1/4" DIAL REGULATOR (FOR DAMPERS UP TO 10")



SQUARE

ROUND



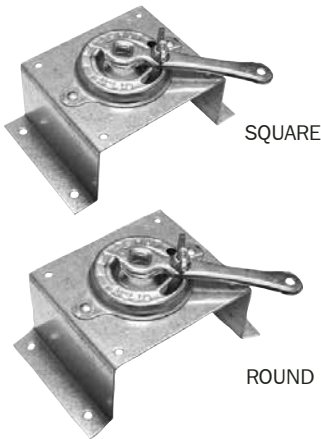
### K2 SERIES FOR SQUARE DUCT

ITEM#	CODE	SHAFT SIZE	STAND HEIGHT
7364	K2-1	1/4" sq.	1"
7365	K2-150	1/4" sq.	1-1/2"
7366	K2-2	1/4" sq.	2"
Packed 10 Per Carton.			

### K2 SERIES FOR ROUND DUCT

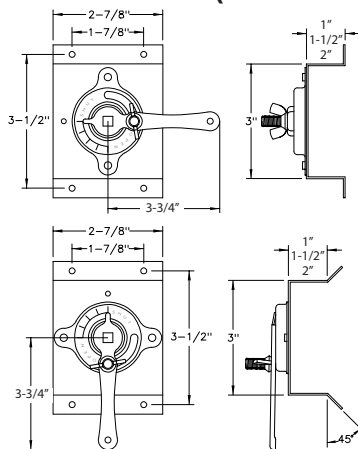
ITEM#	CODE	SHAFT SIZE	STAND HEIGHT
7362	K2-1R	1/4" sq.	1"
8197	K2-150R	1/4" sq.	1-1/2"
7363	K2-2R	1/4" sq.	2"
Packed 10 Per Carton.			

## STANDOFF WITH 3/8" DIAL REGULATOR (FOR DAMPERS UP TO 20")



SQUARE

ROUND



*KR Series available in stainless steel. See page 18.*

### KR SERIES FOR SQUARE DUCT

ITEM#	CODE	SHAFT SIZE	STAND HEIGHT
8304	KR3-1	3/8" sq.	1"
8310	KR3-150	3/8" sq.	1-1/2"
7360	KR3-2	3/8" sq.	2"
Packed 10 Per Carton.			

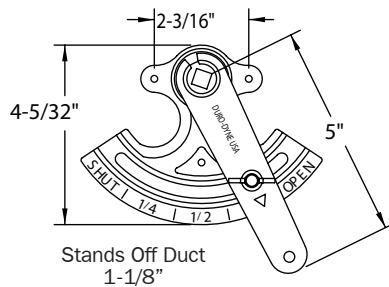
### KR SERIES FOR ROUND DUCT

ITEM#	CODE	SHAFT SIZE	STAND HEIGHT
7361	KR3-1R	3/8" sq.	1"
8366	KR3-150R	3/8" sq.	1-1/2"
7359	KR3-2R	3/8" sq.	2"
Packed 10 Per Carton.			

# QUADLINE DAMPER QUADRANTS SETS AND PARTS

These heavy gauge plated steel quadrants are designed with excellent handle action as well as quick wing nut adjustment and locking of the damper. The frame is marked to show the exact position of the damper. For use on square or round ducts.

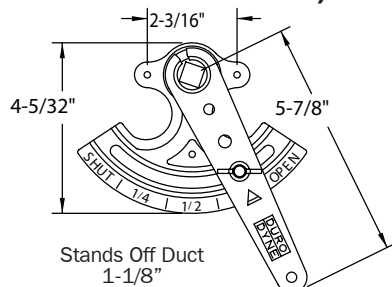
## 3/8" QUADRANT SETS (FOR DAMPERS UP TO 20")



### 3/8" QUADRANT SETS

ITEM#	CODE	SET CONSISTS OF:
8050	KS38	K-4 quadrant; KP-9R round end bearing; KP-9S square end bearing
8051	KS385	K-4 quadrant; KP-7 spring loc bearing; KP-9S long square end bearing
8049	KS385L	K-4 quadrant; KP-7L long spring loc bearing; KP-9L long square end bearing
Packed 1 Set Per Carton		
8059	K4	3/8" quadrant only
Packed 100 per Carton		

## 1/2" QUADRANT SETS (FOR DAMPERS UP TO 30")



### 1/2" QUADRANT SETS

ITEM#	CODE	SET CONSISTS OF:
8052	KS12	K-5 quadrant; KP-10R round end bearing; KP-10S square end bearing
Packed 1 Set Per Carton		
8060	K5	1/2" quadrant only
Packed 100 per Carton		

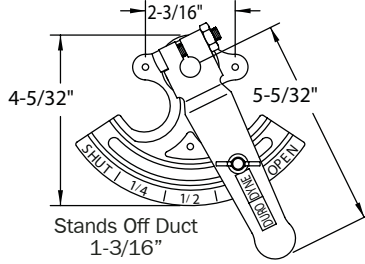
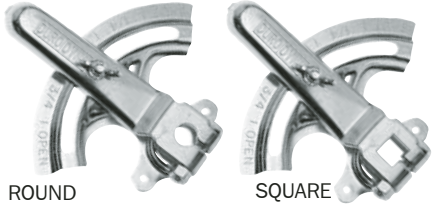


# QUADLINE DAMPER QUADRANTS

SETS AND PARTS (CONTINUED)

## 1/2" SHAFT LOC QUADRANT SETS (FOR DAMPERS UP TO 30")

"Shaft Loc" Quadrants are stamped of heavy gauge steel and clearly indicate the position of the damper. The quadrant handle (available for either 1/2" square or round shafts) is unique in that it locks the shaft of the damper to it by means of a powerful friction holding device strong enough to cut into the damper shaft eliminating damper rattle. The shaft is easily locked with 1/2" open end wrench. Available for square or round ducts.



1/2" SHAFT LOC QUADRANT SETS		
ITEM#	CODE	SHAFT DESCRIPTION
8063	KL7	1/2" square Shaft loc quadrant
8064	KL7R	1/2" round Shaft loc quadrant
Packed 100 Per Carton		

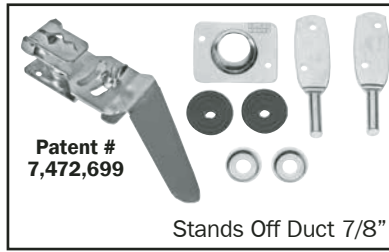
# SPEC-SEAL™ UNIVERSAL REGULATOR & SET

The Spec-Seal Universal Regulator Set utilizes a special rubber seal for applications up to 500°F constant temperature. It eliminates leakage and rattle via the Shaft Loc Mechanism in high pressure systems. The handle's unique design utilizes a highly-visible orange plastic cover showing the damper position. This unit, made of heavy-gauge, zinc-plated steel, accommodates four styles of end bearings: 3/8" and 1/2" with both round or square bearing shafts. It is also available in stainless steel. Individual parts available upon request.

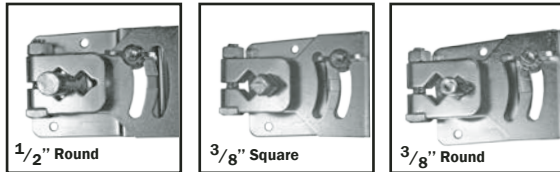
Select items available in stainless steel. See page 18.

**Each Set Consists of:**

- Regulator
- 2 Rubber Seals
- 2 Metal Washers
- 2 End Bearings
- End Bearing Support



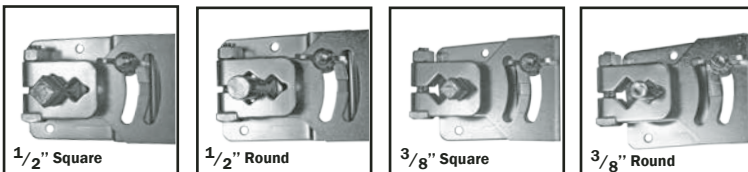
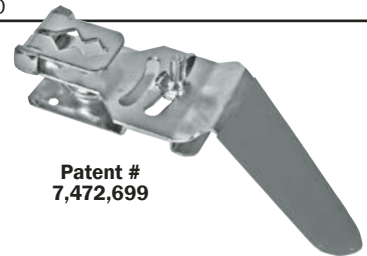
SPEC-SEAL™		
ITEM#	CODE	BEARING TYPE
8153	AL38	3/8" Square
8154	AL38R	3/8" Round
8158	AL38L	3/8" Square Long
8152	AL12R	1/2" Round
8333	ALN38	3/8" Square
8334	ALN38R	3/8" Round
8336	ALN12R	1/2" Round
Quantity per carton: 10 sets		
*8333-8336 DO NOT INCLUDE END BEARINGS		



# UNIVERSAL REGULATOR™

- Universal - one regulator for 3/8" and 1/2"; round or square rods.
- Clamp on handle for snug and rattle free fit to bearing or rod.
- Unique "quick set up" handle allows shift from 1/2" to 3/8" without disassembling the regulator.
- **Shaft loc** mechanism to eliminate rattle
- High visibility handle; shows damper direction.
- Heavy gauge, zinc plated steel.
- Optional Seal Kit - available for low leakage applications.
- Available in Stainless Steel-quotations upon request.

UNIVERSAL REGULATOR		
ITEM#	CODE	DESCRIPTION
8270	MSR03812	3/8 & 1/2" Multisize Regulator Only
8155	SK38	MSRO 3/8" SEAL KIT
8156	SK12	MSRO 1/2" SEAL KIT
Quantity per carton: 10		



# SPEC-SEAL™ END BEARING SUPPORT KITS



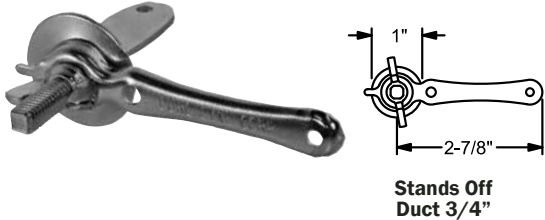
SPEC-SEAL™ END BEARING SUPPORT KITS		
ITEM#	CODE	BEARING TYPE
8163	EB38	3/8" Square Bearing Support Housing
8164	EB38R	3/8" Round Bearing Support Housing
8160	EB12	1/2" Square Bearing Support Housing
8162	EB12R	1/2" Round Bearing Support Housing

# STAMPLINE REGULATORS

## FOR CONTROLLING SMALL DAMPERS

### 1/4" "JIFFY" REGULATOR SETS (FOR DAMPERS UP TO 10")

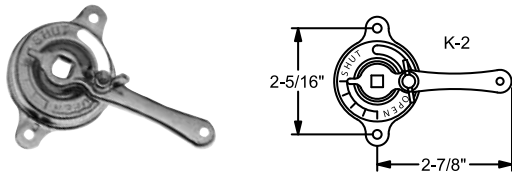
These efficient, low cost, heavy gauge, plated steel regulators install in a "jiffy" by slipping the washer and handle over the threaded square end bearing. The wing nut locks the damper in position. The position of the handle indicates the position of the damper in the duct. For use on round or square ducts.



1/4" "JIFFY" REGULATOR SETS		
ITEM#	CODE	SET CONSISTS OF
8039	KS7	KP5 1/4" threaded bearing, handle; KP-6 spring loc bearing, bevelled wingnut & washer
8046	KS7L	KP5L 1/4" long threaded bearing, handle; KP-6L long spring loc bearing, bevelled wingnut & washer
Packed 10 Per Carton; 10 cartons per box.		
8102	JB1	KP5 1/4" threaded bearing, handle; wingnut & washer
8220	JB1L	KP5L 1/4" long threaded bearing, handle; wingnut & washer
8295	JB1XL	KP5XL 1/4" extra long threaded bearing, handle; wingnut & washer
Packed 100 Per Carton.		

### 1/4" DIAL REGULATOR SETS AND BEARINGS (FOR DAMPERS UP TO 10")

These heavy gauge plated steel regulators are among the most popular on the market. They minimize air leakage and reduce rattle. A wing nut locks the damper in position, yet permits quick readjustment. The dial shows the damper position at a glance. The regulator mounts easily on round or square ducts.

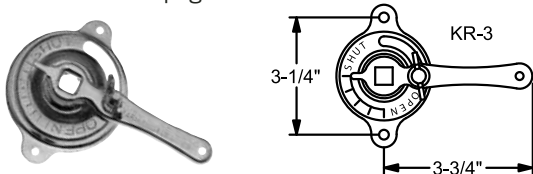


1/4" DIAL REGULATOR SETS		
ITEM#	CODE	SET CONSISTS OF
8040	KS14	K-2 regulator; KP-8S square end bearing; KP-8R round end bearing
8041	KS145	K-2 regulator; KP-6 spring loc bearing; KP-8S square end bearing
8047	KS145L	K-2 regulator; KP-6L long spring loc bearing; KP-8L long square end bearing
7384	KS145XLS	K-2 regulator; KP-6 spring loc bearing; KP-8XL extra long square end bearing
Packed 10 Per Carton; 10 cartons per box.		
8056	K2	1/4" regulator only
Packed 100 Per Carton.		

## FOR CONTROLLING LARGER DAMPERS

### 3/8" DIAL REGULATOR SETS AND END BEARINGS (FOR DAMPERS UP TO 20")

The following sets and parts are the same as the 1/4" size shown above except designed for larger dampers. The 3/8" bearings and regulator are suitable to use on round as well as square duct. Clear markings on the regulator indicate the damper position which can be locked securely by a wing nut. The regulator only is also available in stainless steel - see page 18.

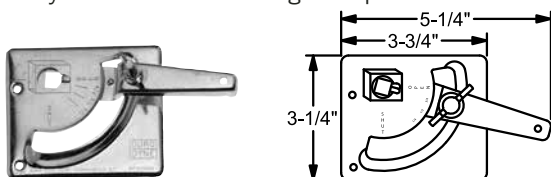


**3/8" dial regulator available in stainless steel. See page 18.**

3/8" DIAL REGULATOR SETS		
ITEM#	CODE	SET CONSISTS OF
8044	KSR19	KR-3 regulator; KP-9R round end bearing; KP-9S square end bearing
8045	KSR195	KR-3 regulator; KP-7 spring loc bearing; KP-9S square end bearing
8139	KSR195L	KR-3 regulator; KP-7L long spring loc bearing; KP-9L long square end bearing
7383	KSR195XLS	KR-3 regulator; KP-7 spring loc bearing; KP-9XL extra long square end bearing
Packed 1 Set Per Carton		
8058	KR3	3/8" dial regulator only
Packed 100 Per Carton		

### 3/8" "WEDGE-LOC®" REGULATOR SETS (FOR DAMPERS UP TO 20")

This attractive rectangular regulator features exclusive "Wedge Loc" action which firmly locks the bearing to the regulator handle when the damper is set - preventing rattling. Heavy construction, minimum air leakage and easy adjustability make this ideal for large dampers in round or square ducts.



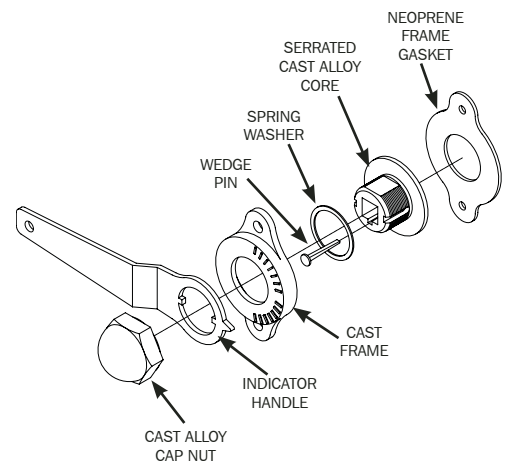
3/8" WEDGE 'LOC' REGULATOR SETS		
ITEM#	CODE	SET CONSISTS OF
8042	KS19	K-3 regulator; KP-9R round end bearing; KP-9S square end bearing
8043	KS195	K-3 regulator; KP-7 spring loc bearing; KP-9S square end bearing
8048	KS195L	K-3 regulator; KP-7L long spring loc bearing; KP-9L long square end bearing
Packed 1 Set Per Carton		
8057	K3	3/8" wedge loc regulator only
Packed 100 Per Carton		

# SPECLINE® DAMPER REGULATORS

## MINIMUM LEAKAGE DAMPER REGULATORS

Specline Regulators are designed for minimum leakage applications. Each regulator is comprised of a frame, an indicator handle, a serrated cast alloy core and a cast alloy nut. Serrations on the cast alloy core mesh with serrations in the frame to firmly lock the regulator in position. A spring washer situated between the core and the cast frame allows for smooth non-binding adjustment. A wedge pin is used to eliminate rattle and take up slack between the regulator and the damper shaft.

- All SR and SRH type regulators include a cast alloy frame and a neoprene frame gasket.
- The SRHS and SRS utilize a stamped frame and include a neoprene frame gasket.

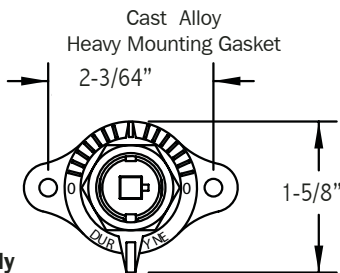


## INDICATOR STYLE REGULATOR SET WITH HEX NUT AND ACORN NUT

Regulator Height 5/8"



SRH-Series



Regulator Height 1-3/8"



SR-Series

- Cast Alloy Frame and Body
- Heavy Mounting Gasket
- Heavy Cast Indicator Dial
- Hex Nut

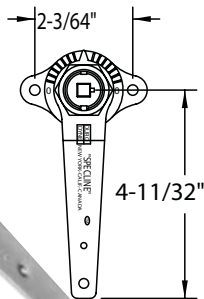
INDICATOR STYLE CAST		
ITEM#	CODE	SHAFT SIZE & NUT
8010	SRH240	1/4" Hex Nut
8012	SRH280	3/8" Hex Nut
8014	SRH220	1/2" Hex Nut
8003	SR380	3/8" Acorn Nut
8005	SR120	1/2" Acorn Nut
Packed 10 Per Carton		

## HANDLE REGULATOR SET WITH HEX NUT AND ACORN NUT

Regulator Height 5/8"



SRH-Series



Regulator Height 1-3/8"



SR-Series

- Cast Alloy Body
- Heavy Stamped Handle
- Hex Nut
- Solid Die Cast Core

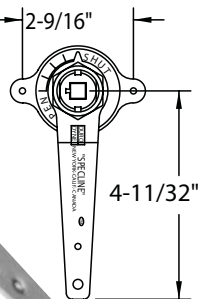
HANDLE SET CAST		
ITEM#	CODE	SHAFT SIZE & NUT
8011	SRH248	1/4" Hex Nut
8013	SRH288	3/8" Hex Nut
8015	SRH228	1/2" Hex Nut
8002	SR148	1/4" Acorn Nut
8004	SR388	3/8" Acorn Nut
8006	SR128	1/2" Acorn Nut
Packed 10 Per Carton		

## HANDLE STYLE (STAMPED) REGULATOR SET WITH HEX NUT & ACORN NUT

Regulator Height 5/8"



SRHS-Series



Regulator Height 1-3/8"



SRS-Series

- Stamped Frame
- Heavy Stamped Handle
- Solid Die Cast Core
- Hex Nut

HANDLE SET (STAMPED)		
ITEM#	CODE	SHAFT SIZE & NUT
8016	SRHS148	1/4" Hex Nut
8017	SRHS388	3/8" Hex Nut
8018	SRHS128	1/2" Hex Nut
8022	SRS148	1/4" Acorn Nut
8023	SRS388	3/8" Acorn Nut
8024	SRS128	1/2" Acorn Nut
Packed 10 Per Carton		

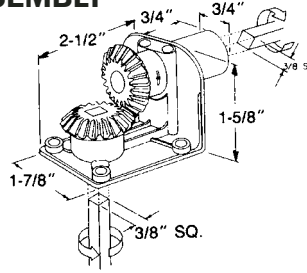
# SPECLINE® DAMPER REGULATORS

(CONTINUED)

## 90° ANGLE DRIVE DIE CAST MITRE GEAR ASSEMBLY

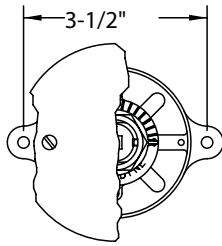


Will accommodate 3/8" square rod from duct

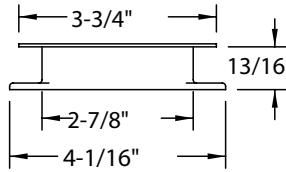


90° ANGLE DRIVE		
ITEM#	CODE	DESCRIPTION
8135	AD38	Mitre Gear Assembly
Packed 5 Per Carton		

## CONCEALED STYLE REGULATOR SET WITH HEX NUT



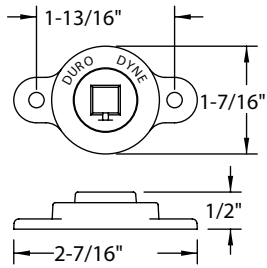
Attractive cast alloy housing with a corrosion resistant plated cover



CONCEALED		
ITEM#	CODE	SHAFT SIZE
8007	SRC140	1/4" sq.
8008	SRC380	3/8" sq.
Packed 5 Per Carton		

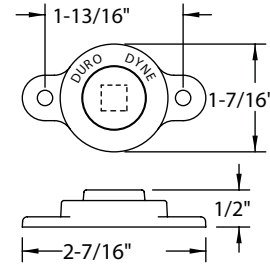
## SPECLINE PARTS AND ACCESSORIES

### OPEN END BEARING CAST ALLOY



OPEN END		
ITEM#	CODE	SHAFT SIZE
8025	SB114	1/4" sq.
8027	SB138	3/8" sq.
8029	SB112	1/2" sq.
Packed 25 Per Carton		

### CLOSED END BEARING CAST ALLOY

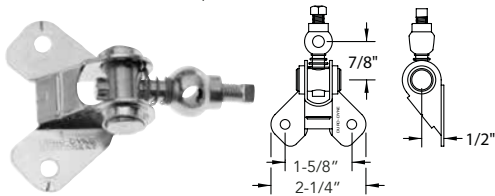


CLOSED END		
ITEM#	CODE	SHAFT SIZE
8026	SB314	1/4" sq.
8028	SB338	3/8" sq.
8030	SB312	1/2" sq.
Packed 25 Per Carton		

## SPLITTER DAMPER HARDWARE

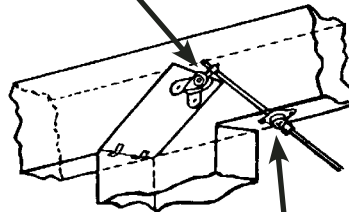
### SPLITTER DAMPER BRACKET

Steel Bracket, Brass Pivot



SPLITTER DAMPER		
ITEM#	CODE	SHAFT SIZE
8034	SRP40	1/4"
8035	SRP50	5/16"
Packed 25 Per Carton		

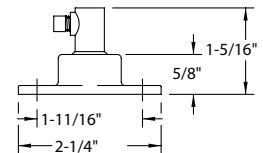
Splitter Damper Bracket



Ball Joint Damper Casting

### BALL JOINT DAMPER CASTING

Cast Alloy



BALL JOINT		
ITEM#	CODE	SHAFT SIZE
8032	SRP14	1/4"
8033	SRP516	5/16"
Packed 25 Per Carton		



# END BEARINGS

(PACKED 100 PER CARTON)

Select items available in stainless steel. See page 19.



SPRING LOC		
ITEM#	CODE	APPROX. DIM.
8065	KP6	1/4" x 2"
8066	KP7	3/8" x 2-11/16"



SPRING LOC LONG		
ITEM#	CODE	APPROX. DIM.
8241	KP6L	1/4" x 3-1/4"
8242	KP7L	3/8" x 3-3/4"



ROUND		
ITEM#	CODE	APPROX. DIM.
8067	KP8R	1/4" x 1-1/8"
8070	KP9R	3/8" x 1-1/8"
8073	KP10R	1/2" x 1-1/4"



1/4" SQUARE THREADED		
ITEM#	CODE	APPROX. DIM.
8075	KP5	1/4" x 1-1/8"
8076	KP5L	1/4" x 2-1/8"
8079	KP5XL	1/4" x 3-1/8"



1/4" SQUARE		
ITEM#	CODE	APPROX. DIM.
8068	KP8S	1/4" x 1-1/8"
8069	KP8L	1/4" x 2-1/8"
8077	KP8XL	1/4" x 3-1/8"

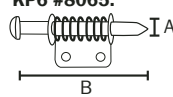


3/8" SQUARE		
ITEM#	CODE	APPROX. DIM.
8071	KP9S	3/8" x 1-1/8"
8072	KP9L	3/8" x 2-1/8"
8247	KP9XL	3/8" x 3-1/8"



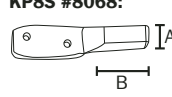
1/2" SQUARE		
ITEM#	CODE	APPROX. DIM.
8074	KP10S	1/2" x 1-1/4"
8179	KP10L	1/2" x 2-1/4"

**Spring Loc Example**  
KP6 #8065:



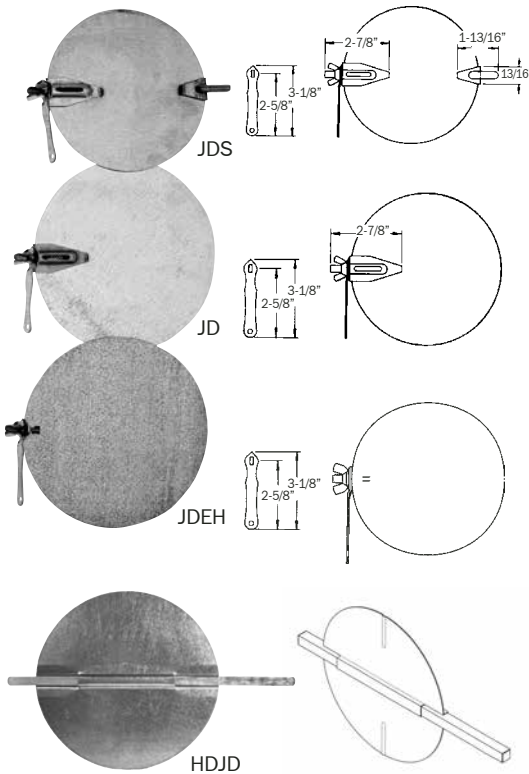
ITEM#	APPROX. DIM.
8065	1/4"(A) x 2"(B)

**Square Example**  
KP8S #8068:



ITEM#	APPROX. DIM.
8068	1/4"(A) x 1-1/8"(B)

# JIFFY DAMPERS



The "JDS" Series Jiffy Damper offers the contractor a quality round damper at a cost lower than most shop-made dampers. The Duro Dyne JDS series utilizes quality Rapit Spring and Rapit Solid End Bearing sets. (Packed 10 per carton only.)

The "JD" Series Jiffy Damper offers added economy in those applications where a supporting solid tail bearing is not required on the damper. The Duro Dyne JD Damper utilizes one Rapit Spring End Bearing. (Packed 10 per carton only.)

The "JDEH & JDE" Series Jiffy Damper offers an inexpensive alternative for low pressure applications. The Duro Dyne Economy Damper utilizes one threaded stud as a support bearing. Available with handle (JDEH) or without (JDE). (Packed 100 per carton only.)

The Heavy Duty Jiffy Damper (HDJD) offers an economical alternative to in shop damper fabrication. It is manufactured of 22 gauge galvanized steel blades and comes pre-assembled. The 3/8" square rod extends 3 inches beyond the blade. The HDJD is compatible with Duro Dyne's ESO damper regulator assembly. (Packed 10 per carton only.)

JIFFY DAMPERS		
ITEM#	CODE	FOR DUCT SIZE DIA.
8092	JDS4	4"
8093	JDS5	5"
8094	JDS6	6"
8095	JDS7	7"
8096	JDS8	8"
8097	JDS9	9"
8137	JDS10	10"
7153	JDS12B	12"
8098	JD4	4"
8099	JD5	5"
8100	JD6	6"
8101	JD7	7"
8146	JD8	8"
8231	JD9	9"
8140	JD10	10"
7111	*JDE6	6"
7120	**JDE6H	6"
*JDE and JDEH series dampers available in other sizes		
**JDEH series dampers contain handles		
7077	HDJD4	4"
7078	HDJD5	5"
7163	HDJD6	6"
7164	HDJD7	7"
7165	HDJD8	8"
7166	HDJD9	9"
7167	HDJD10	10"
7168	HDJD12	12"
7169	HDJD14	14"
7170	HDJD16	16"
HDJD Dampers are also sold unassembled		

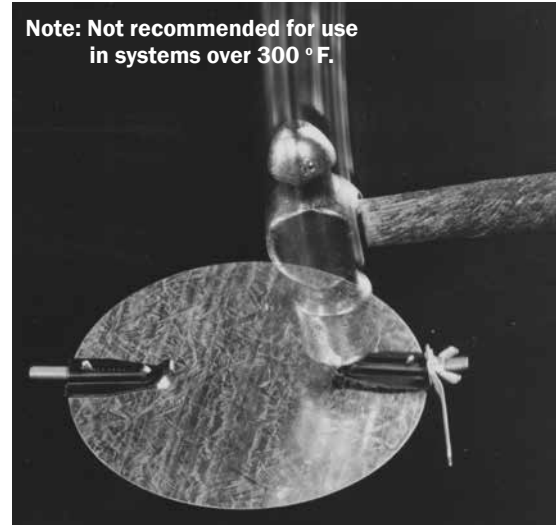
# HAMMER ON DAMPER HARDWARE & ACCESSORIES-

## 'RAPIT'<sup>®</sup> DAMPER REGULATOR

The **RAPIT** is an inexpensive, rattle-free regulator for quick installation on balance or splitter dampers. It is formed from rust-resistant, heavy gauge, galvanized steel and installs in seconds. The Rapit will penetrate and secure to round or rectangular damper blades up to 24 gauge steel. It has a fully retractable bearing of zinc alloy, threaded to accept a 5/16-18 wing nut and a handle that indicates the damper position. It's as easy to use as 1-2-3.

1. Slip the bearing over the edge of the damper at the bearing line.
2. Lay the assembly on any firm surface and rap the prong with a hammer. One blow drives the prong through the damper blade, holding it securely to the damper.
3. When hit with a hammer, the prong will automatically form up tight by the anvil, which is built into the bottom of the "Rapit" Bearing.

Note: Not recommended for use in systems over 300 °F.



### RAPIT REGULATOR SETS

ITEM#	CODE	CONSISTS OF:
8087	RB56	1 RB-50 Rapit spring bearing; 1 RP-3 washer; 1 RP-2 wing nut
8086	RS156	1 RB-50 Rapit spring bearing; 1 RP-3 washer; 1 RP-1 handle; 1 RP-2 wing nut
8085	RS256	2 RB-50 Rapit spring bearings; 1 RP-3 washer; 1 RP-1 handle; 1 RP-2 wing nut
8233	RS356	1 RB-50 Rapit spring bearing; 1 RB-25T threaded Rapit solid bearing; 1 RP-3 washer; 1 RP-1 handle; 1 RP-2 wing nut

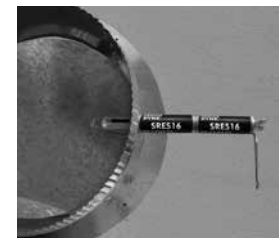
## SLIDE RAPIT EXTENSION

The Slide Rapit Extension provides a fast method for extending the length of a rapit spring end bearing 2". There is no need for tools; just twist the extension fork over the threaded bearing and slip the sleeve over the joint. Slide Rapit Extensions can also be combined to accommodate liner thicker than 2".

Patent #  
8,356,796



2" extension

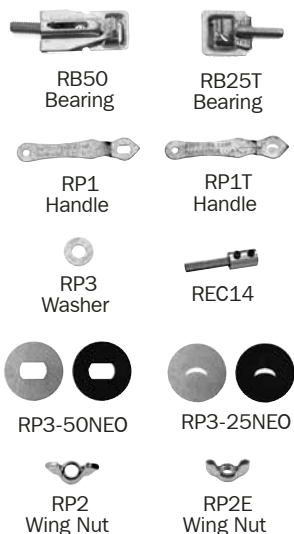


Two combined Slide Rapit extensions

SLIDE RAPIT EXTENSION		
ITEM#	CODE	DESCRIPTION
7378	SRE516-516	5/16" Slide Rapit Extension
7308	SRE14-14	1/4" Slide Rapit Extension



## RAPIT REGULATOR PARTS



RAPIT REGULATOR PARTS		
ITEM#	CODE	DESCRIPTION
8088	RB50	Rapit spring bearing
8201	RB25T	Threaded Rapit solid bearing
8089	RP1	Rapit handle
8198	RP1T	Rapit handle for RB-25T threaded bearing
8090	RP2	Rapit wing nut
8091	RP3	Rapit washer
7190	RP3-50NEO	RB50 washer with neoprene
7191	RP3-25NEO	RB25 washer with neoprene
7388	REC14	1/4" Square Rapit Extension 2-3/4" long
8344	RP2S	5/16-18 Tapered Wing Nut
7349	RP2E	5/16-18 Stamped Wing Nut
Packed 100 per carton* (*7388 packed 10 per carton)		
Bulk packing also available		

## ECONO-STUD - ECONOMY DAMPER HARDWARE



ECONOMY DAMPER HARDWARE		
ITEM#	CODE	DESCRIPTION
7031	ES14	1/4" Econo-Stud
7033	ES14W	1/4-20 Stamped Wing Nut
7035	ES14NW-NEO	1/4" Washer with Neoprene
8089	RP1	Rapit handle

# MULTI-BLADE DAMPER HARDWARE

## NEVA-BIND™ DURO BLADE KIT FOR PARALLEL DAMPERS

Duro Dyne's "NEVA-BIND" Linkage Bracket will always align itself to assure smooth, non-binding operation even on the heaviest damper blades. Above, or at unequal distance from the blade axis, it is capable of adjusting itself all four ways, in-out, up-down, sideways and rotation. Each carton contains all necessary hardware for one blade of a parallel multi-blade damper.



PARALLEL		
ITEM#	CODE	BEARING SIZE
2002	BK2	1/2" ID.

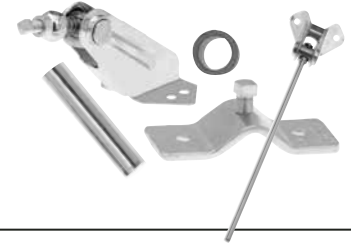


## OPAX® BLADE KIT FOR OPPOSED ACTION DAMPERS

Opposed Action Dampers minimize turbulence and the control of the air is more linear. Neva-Bind, 4 way self-adjustability which Duro Dyne "OPAX" kits feature, automatically compensates for any construction inaccuracies as well as maintaining linear operation and critical dimensions between linkage points. "OPAX" provides opposed action of damper blades and holds the blades rigidly in position eliminating rattle or flutter. These linkage kits contain all the necessary hardware for two opposed action damper blades.



OPPOSED		
ITEM#	CODE	BEARING SIZE
2003	BK03	7/16" ID.
2004	BK04	1/2" ID.



## DAMPER ASSEMBLY UTILIZING SHOP MATERIALS

### A. MAKING THE FRAME

(Same for both parallel and opposed dampers)

- Cut a piece of channel for the frame 1/4" less than the duct size, for clearance.
- SIDE FRAME:**
  - Mark off 5/16" from each end.
  - Divide the section inside these marks into as many parts as there are blades required.
  - Mark for each pivot at the center of each blade section (b).
  - Drill or punch a 5/8" hole at each pivot (c). Insert self-oiling bushings (tap fit).
- Weld the sides and bottoms of the frames. Be sure to keep them square.
- On large frames weld on corner braces to keep the frame square. Place any braces on the side of the frame which will not interfere with blade movement. Attach top and bottom end stops, if required. Cement felt, if required, with insulation adhesive.

### B. MAKING THE BLADES

Same for both parallel and opposed dampers

#### 1. Material:

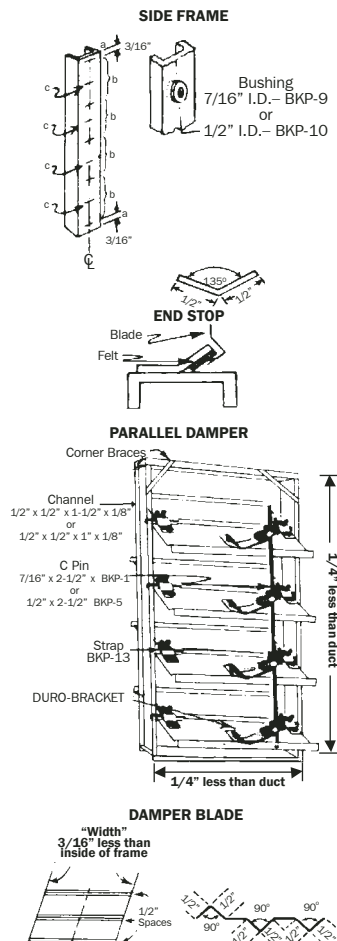
Gauge	Blade Width	Activating Brackets Required per blade
20	to 36"	1
16	to 48"	1 or 2
12	to 52"	2

#### 2. CUT:

- "WIDTH" dimension 3/16" less than the inside of frame.
- "HEIGHT" dimension: Allow for approximately 7/8" "shrinkage" due to forming; approximately 1/4" blade overlap; approximately 3/16" end clearance to frame.

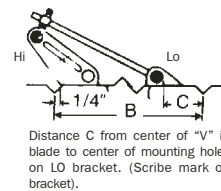
#### 3. MARK:

Mark the blades as shown and bend on the scribe lines.



### C. MOUNTING THE HARDWARE "OPAX" HARDWARE

Attach the brackets as shown in drawing "B". (Always drive a "lo" blade, never a "hi" blade.)



Dimension "B"	Distance "C"
5"	1"
6"	1-3/16"
7"	1-1/4"
8"	1-5/16"
9"	1-3/8"
10"	1-3/8"
11"	1-7/16"
12"	1-1/2"

### PARALLEL HARDWARE

Attach the brackets at the center of blade.



Lean bracket here, against the edge of the "V"

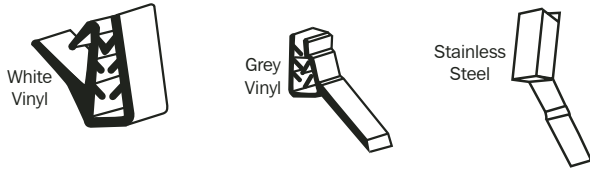
### DURO-BRACKET



### D. ASSEMBLING THE DAMPER

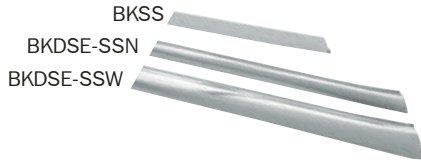
- Lay the damper frame flat on the bench.
- Place the blades inside the frame in the approximate required position (correct overlap, etc.)
- Place 2 bearing pins in each center blade groove.
- Slide the pins under the straps (loosen the set-screws) and into the frame. Tighten the strap set-screws.
- Attach all linkage rods.

# BLADE EDGING



DAMPER BLADE EDGINGS			
ITEM#	CODE	DESCRIPTION	LENGTH
2151	BKDBE2	White Vinyl	6 ft.
2156	BKDBE3	Grey Vinyl	6 ft.
2153	BKDBE-SSE	Stainless Steel	12 ft.

# SIDE SEALS



STAINLESS STEEL SIDE SEALS		
ITEM#	CODE	DESCRIPTION
2077	BKSS	Side Seal
2154	BKDSE-SSN	Side Edging 1-1/2"
2155	BKDSE-SSW	Side Edging 2.59"

*\*For large runs, custom punched designs available upon request*

# MULTI-BLADE DAMPER PARTS

(All steel parts are Zinc or Cadmium Plated)  
ALL PACKED 100 PER CARTON UNLESS NOTED

Select items available in stainless steel. See page 19.

## BLADE BRACKETS

Standard Bracket as supplied in BK-1 and BK-2 Parallel Kits.



STANDARD BRACKETS		
ITEM#	CODE	ROD SIZE
2005	BKP814	1/4"
2006	BKP856	5/16"
2007	BKP838	3/8"



HIGH BRACKETS		
ITEM#	CODE	DESCRIPTION
2008	BKP22	High Bracket as supplied in Opax Blade Kits BKO-3 and BKO-4
2011	BKP25	High Bracket (not Neva-Bind) with Brass Pivot & Steel Set Screw (Not Shown)



LOW BRACKETS		
ITEM#	CODE	DESCRIPTION
2009	BKP23	Low Bracket and Linkage Rod as supplied in Opax Blade Kits
2010	BKP24	Low Bracket (not Neva-Bind) with Brass Pivot & Steel Set Screw (Not Shown)

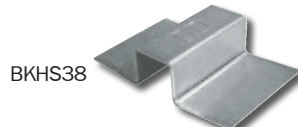
## STRAPS



STANDARD & SET SCREW		
ITEM#	CODE	DESCRIPTION
2016	BKP13	Strap and set screws



SELF ALIGN & SET SCREW		
ITEM#	CODE	DESCRIPTION
2025	BKP71	Self-aligning strap and set screws. "V" groove does not deform blade.



HAT BRACKET		
ITEM#	CODE	DESCRIPTION
2075	BKHS38	3/8" Hat Bracket 22ga

## DYNA-LINK



DYNA-LINK		
ITEM#	CODE	DESCRIPTION
2136	BKP26	Dyna-Link

## BUSHINGS



RUBBER BUSHINGS		
ITEM#	CODE	DESCRIPTION
2266	BK-PRB80	1/4" Round ID rubber bushings
2267	BK-PRB81	1/4" Square ID rubber bushings
2268	BK-PRB82	3/8" Round ID rubber bushings
2269	BK-PRB83	3/8" Square ID rubber bushings



BUSHINGS		
ITEM#	CODE	DESCRIPTION
2012	BKP9	Bronze Bushings 7/16" dia. ID. as supplied in BK-1 Parallel Blade Kits and BKO-3 Opax Kits.
2013	BKP10	Bronze Bushings 1/2" dia. ID. as supplied in BK-2 Parallel Blade Kits and BKO-4 Opax Kits.
2240	BKP80	Plastic Bushing 1/4" dia. ID. is designed for use with KP6 & KP6L Spring Loc Bearings Only.
2241	BKP81	Plastic Bushing 1/4" sq. ID.
2242	BKP82	Plastic Bushing 3/8" dia. ID. is designed for use with KP7 & KP7L Spring Loc Bearings Only.
2243	BKP83	Plastic Bushing 3/8" sq. ID.
2079	BKP64	Plastic Bushing 1/2" dia. ID.
2244	BKP84	Plastic Bushing 1/2" sq. ID.
2014	BKP14	Ball Bearing Bushing 7/16" ID.
2261	BKP30P	Closed flanged ball bearing bushing 1/2" ID

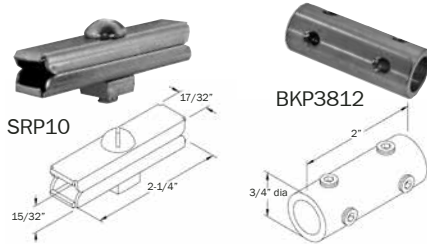


# MULTI-BLADE DAMPER PARTS (CONTINUED)

(All steel parts are Zinc or Cadmium Plated)  
**ALL PACKED 100 PER CARTON UNLESS NOTED**

Select items available in stainless steel. See page 19.

## ROD COUPLING



ROD COUPLING		
ITEM#	CODE	DESCRIPTION
8031	SRP10	3/8" Rod Coupling
Sold 12 Per Carton		
2239	BKP3812	3/8" Square to 1/2" Round Rod Coupling
Sold 50 Per Carton		

## STANDARD PINS



STANDARD PINS		
ITEM#	CODE	DESCRIPTION
2017	BKP1	7/16" diameter pin 2-1/2" long
2019	BKP5	1/2" diameter pin 2-1/2" long
2020	BKP6	1/2" diameter pin 6" long

## MILLED & DRILLED PINS



MILLED & DRILLED PINS		
ITEM#	CODE	DESCRIPTION
2076	BKP116	1/2" diameter, 6" long, milled and drilled pin
Sold 50 Per Ctn.		
2115	BKP113	1/2" diameter, 3 1/2" long, milled and drilled pin
Sold 100 Per Ctn.		

## ROUND TO SQUARE PINS

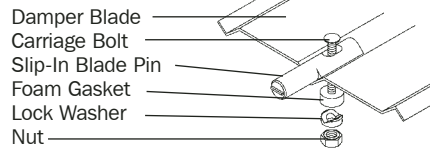


ROUND TO SQUARE PINS		
ITEM#	CODE	DESCRIPTION
2022	BKP4	7/16" diameter to 1/2" square, 6" long
2023	BKP7	1/2" diameter to 1/2" square, 6" long
2024	BKP70	7/16" diameter to 3/8" square, 6" long
Sold 50 Per Ctn.		
2063	BKP8	1/2" diameter to 3/8" square, 4" long
Sold 100 Per Ctn.		

## SLIDE PINS

With Duro Dyne's complete line of Damper Slide Pins, nearly every configuration requirement can be satisfied. Duro Dyne's Damper Blade Slide Pin selection provides a low cost alternative to damper hardware such as straps, set screws and solid pins. Installation is as easy as 1-2-3.

1. Punch a hole in the Damper Blade
2. Position a Pin on the Blade
3. Lock the pin in position by tightening 1/4" hex nut after sliding the pin into the damper bushing.



SLIDE PINS		
ITEM#	CODE	APPROX. PIN SIZE
2094	DBP1A	7/16" diameter and 1/2" diameter slide pin, 5/8" Length.
2067	DBP1	Damper Blade Pin only



SLIDE PINS		
ITEM#	CODE	APPROX. PIN SIZE
2221	RDBP100A	1/2" Round Pin 1" Long
2222	RDBP150A	1/2" Round Pin 1 1/2" Long
2223	RDBP200A	1/2" Round Pin 2" Long



SLIDE PINS		
ITEM#	CODE	APPROX. PIN SIZE
2215	SDBP100A	3/8" Sq. Pin 1" Long
2216	SDBP150A	3/8" Sq. Pin 1 1/2" Long
2217	SDBP200A	3/8" Sq. Pin 2" Long

## ROD CLIPS



ROD CLIPS (U-BOLTS)		
ITEM#	CODE	DESCRIPTION
8053	KP25	3/8" Damper Rod Clips
8054	KP26	1/2" Damper Rod Clips
8055	KP27	5/8" Damper Rod Clips

## PIVOT & SET SCREW



PIVOT		
ITEM#	CODE	DESCRIPTION
2135	BKP36	1/4-28 Brass Pivot Fully Tapped



SET SCREW		
ITEM#	CODE	DESCRIPTION
2134	BKP35	1/4-28x1/2" Set Screw

## CRANK ARM



CRANK ARM		
ITEM#	CODE	DESCRIPTION
8185	CAC212L	1/2" long shaft

## CONTROL SWIVEL



CONTROL SWIVEL		
ITEM#	CODE	DESCRIPTION
8186	DSC516	Fits 1/4" & 5/16" Rods

## SIDE LINKAGE BRACKET



LINKAGE BRACKET		
ITEM#	CODE	DESCRIPTION
2116	SDB2N	3/8" Side Linkage Bracket Assembly

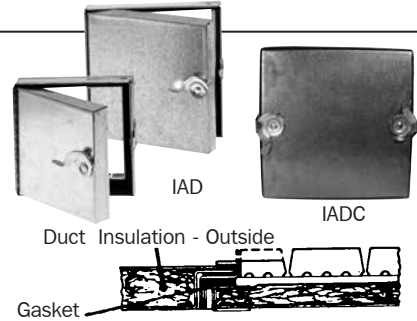
# ACCESS DOORS

Duro Dyne Access Doors provide convenient access to the inside of ductwork for testing and cleaning purposes. All doors are manufactured with an integral frame for minimal leakage. They are offered in a variety of sizes and styles for multiple applications including high pressure, ductboard applications and more.

## INSULATED ACCESS DOORS TAB STYLE

The IAD Door has been designed to create an airtight seal utilizing a moisture, oil and grease resistant neoprene gasketing between the door to the frame and the frame to the duct. The door panel is constructed out of 24 gauge galvanized steel and is filled with a 1" 1-1/2 lb. fiberglass insulation (K factor .26+.03@75°F). The frame is 24 gauge galvanized steel with punched steel tabs along each side, which locks the frame into the ductwork. Smaller frame corner tabs make installation easy. Double camlock latches are used on doors 14" and larger. 12" and smaller have one camlock. Special sizes can be fabricated with multiple walls of steel or see-through panels or Cam-Lock only style.

**Standard Sizes: Installation Note: All holes should be cut 1-1/8" smaller than the door.**



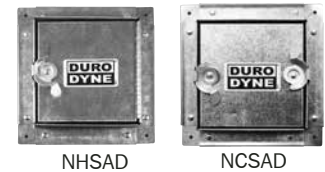
## YELLOW LABEL INSULATED ACCESS DOORS TAB STYLE

The YIAD Access Door is similar in specifications to the standard Insulated Access Door but is manufactured by industrial workers in the sheet metal union.



## INSULATED ACCESS DOORS SELF STICK STYLE

Duro Dyne HSAD & CSAD access doors feature a self stick frame for easy application. Simply size and cut the hole, peel the release paper off the frame, press the door onto the ductwork and secure with screws. They are easy to position with no frame 'dove tails' to align and bend. Self Stick Access Doors are manufactured of 24 ga galvanized steel and feature a one inch wide gasketed frame, 1" thick fiberglass insulation. They have been tested to 10"SP with minimal leakage when properly installed.



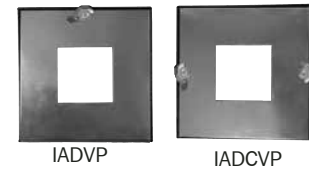
## YELLOW LABEL INSULATED ACCESS DOORS SELF STICK STYLE

The Yellow Label Self Stick Access Door is similar in specifications to the standard Self Stick Insulated Access Door, but is manufactured by industrial workers in the sheet metal union.



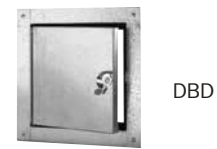
## VISION PANEL INSULATED ACCESS DOORS

Manufactured of 24 ga galvanized steel, a 1" 1-1/2 lb. fiberglass insulation and door to frame and frame to door gasket Duro Dyne IADVP's provide an airtight seal with the added convenience of a vision panel. Square tabs make for an easier and safer installation process. A clear vision panel allows visual duct inspection effortlessly!



## DUCT BOARD ACCESS DOORS

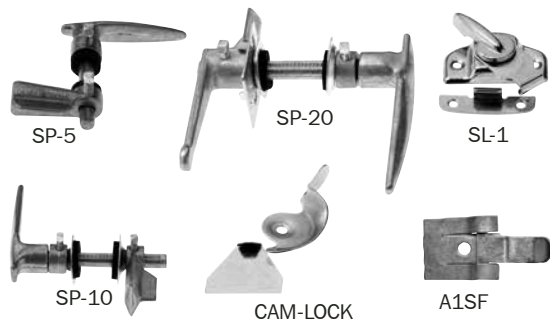
Duro Dyne's DBD Series Door is an insulated access door specifically designed for quick and easy installation onto ductboard. Simply cut the appropriate size hole in the duct, remove the release paper from the adhesive strip on the door, and press the door into position. Complete the installation by pushing the nails provided through the eight holes in the frame and capping them with the speed nuts, also provided, on the inside of the duct.



	INSULATED ACCESS DOORS TAB STYLE		YELLOW LABEL INSULATED ACCESS DOORS TAB STYLE		INSULATED ACCESS DOORS SELF STICK STYLE		YELLOW LABEL INSULATED ACCESS DOORS SELF STICK STYLE		VISION PANEL INSULATED ACCESS DOORS		DUCT BOARD ACCESS DOORS (DBD)
	Hinged (IAD)	Cam Only (IADC)	Hinged (YIAD)	Cam Only (YIADC)	Hinged (NHSAD)	Cam Only (NCSAD)	Hinged (HSAD)	Cam Only (CSAD)	Hinged (IADVP)	Cam Only (IADCVP)	
6x6	8230	8385	7082	7091	7046	7056	7310	7320	6381	6390	•
8x8	8168	8386	7083	7092	7047	7057	7311	7321	6382	6391	36066
10x10	8169	8387	7084	7093	7048	7058	7312	7322	6383	6392	36067
12x12	8170	8388	7085	7094	7049	7059	7313	7323	6384	6393	•
14x10	8171	8390	•	•	•	•	•	•	•	•	•
14x14	8167	8389	7086	7095	7050	7060	7314	7324	6385	6394	•
16x16	8172	8391	7087	7096	7051	7061	7315	7325	6386	6395	•
18x12	•	•	•	•	7052	7062	7316	7326	•	•	•
18x18	8173	8392	7088	7097	7053	7063	7317	7327	6387	6396	•
20x20	8174	8393	7089	7098	7054	7064	7318	7328	6388	6397	•
24x24	8175	8394	7090	7099	7055	7065	7319	7329	6389	6398	•

*Clamshell style access doors are available in the Dyn-O-Mate Catalog.*

# ACCESS DOOR LOCKING DEVICES



Cam Lock available in stainless steel. See page 18.

ACCESS DOORS LOCKING DEVICES					
ITEM#	CODE	SHAFT LENGTH	SHAFT SIZE	MAXIMUM DOOR THICKNESS	QTY. PER CTN.
8105	SP5	2"	1/4" dia.	1 3/8"	25
8106	SP10	3"	3/8" dia.	1 1/2"	10
8107	SP20	4"	1/2" dia.	2"	10
8138	CAM-LOCK				100
8108	SL1				25
8397	SL2				50
8182	A1SF				100

THE DIMENSIONS SHOWN ARE NORMAL AND SUBJECT TO STANDARD MANUFACTURING TOLERANCES.

## GASKETING

Wherever flanges are used in connecting parts of a duct system, the potential for air leakage exists. Besides contributing to energy waste, leaks can also create noise. Sealing of ductwork can be accomplished with the use of gasket which adheres to flanged surfaces. When this material is attached to a flange, which is then assembled to a second flange, the material is compressed and fills gaps and irregularities creating a seal.



### VINYL FOAM (PVC)

Vinyl Foam is a low density PVC Foam. When this material is attached to a flange which is then assembled to a second flange, the material is compressed and fills gaps and irregularities creating a seal.

VINYL FOAM (PVC)			
ITEM#	CODE	DESCRIPTION	LENGTH
8123	PVC 1812	1/8" x 1/2"	50'/RL
8124	PVC 1434	1/4" x 3/4"	50'/RL
8125	PVC 3834	3/8" x 3/4"	50'/RL

### URETHANE

Urethane Gasket is a 2 lb. Polyester Urethane. When this material is attached to a flange which is then assembled to a second flange, the material is compressed and fills gaps and irregularities creating a seal.

URETHANE			
ITEM#	CODE	DESCRIPTION	LENGTH
8126	UF 312	3/16" x 1/2"	50'/RL
8127	UF 1434	1/4" x 3/4"	50'/RL
8128	UF 3834	3/8" x 3/4"	25'/RL

### NEOPRENE

Neoprene Gasket is a black, continuous, closed cell, medium density rubber product that has excellent resistance to oil and fuel.

NEOPRENE			
ITEM#	CODE	DESCRIPTION	LENGTH
8129	BN 1812	1/8" x 1/2"	50'/RL
8130	BN 1434	1/4" x 3/4"	50'/RL
8131	BN 3834	3/8" x 3/4"	25'/RL
8261	BN 31634	3/16" x 3/4"	50'/RL
8151	BN 51634	5/16" x 3/4"	50'/RL
8149	BN3161	3/16" x 1"	50'/RL

### NEOPRENE UL LISTED

Neoprene Gasket is a black, continuous, closed cell, medium density rubber product that has excellent resistance to oil and fuel. UL Listed #723

NEOPRENE UL LISTED			
ITEM#	CODE	DESCRIPTION	LENGTH
6339	BN1812UL723	1/8" x 1/2"	50'/RL
6340	BN1434UL723	1/4" x 3/4"	50'/RL
6341	BN3834UL723	3/8" x 3/4"	25'/RL
6342	BN31634UL723	3/16" x 3/4"	50'/RL
6343	BN51634UL723	5/16" x 3/4"	50'/RL
6344	BN3161UL723	3/16" x 1"	50'/RL

### DOUBLE SIDED BLACK FOAM TAPE

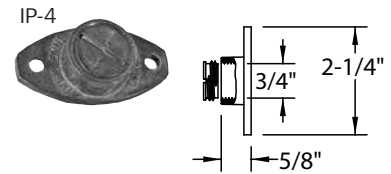
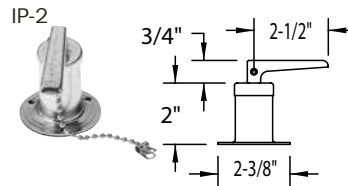
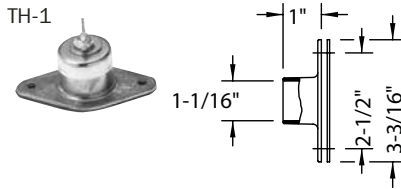
BF2S18 is a 1/8" thick black closed cell, crosslinked polyethylene foam coated on both sides with a high performance acrylic based adhesive with a white kraft liner. Typical applications: circular duct connectors and rectangular duct connectors.

DOUBLE SIDED BLACK FOAM TAPE			
ITEM#	CODE	DESCRIPTION	LENGTH
7198	BF2S18-34	1/8" x 3/4"	108'/CTN
7197	BF2S18-100	1/8" x 1"	108'/CTN
7199	BF2S18-112	1/8" x 1-1/2"	108'/CTN

# INSTRUMENT TEST PORT

The **Instrument Test Port** has a durable cast zinc alloy construction with a heavy gauge zinc plated cap. Its Neoprene Expansion Plug can withstand up to 180°F and has resisted pressures up to 90 PSI when installed. The TH-1 accommodates 1" of insulating materials and has an inside diameter of 1-1/16". The IP-2 accommodates 2" of insulation material and has an inside diameter of 1-1/8". The IP-4 offers a 3/4" diameter access to the air stream. All are designed for high velocity systems. A flat neoprene mounting gasket is supplied. However, for maximum protection against leakage, we recommend using Quad Seal.

INSTRUMENT TEST PORT		
ITEM#	CODE	QTY PER CARTON
8036	TH1	25
8398	IP2	25
8340	IP4	25



# HINGES

## PIANO HINGES

HPH116  
HPH112

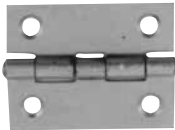


PIANO HINGES			
ITEM#	CODE	SIZE	DESCRIPTION
8120	HPH116	1-1/16" x 3'	Piano hinge, with holes, zinc plated
8121	HPH112	1-1/2" x 3'	

Packed 25 Per Carton - Special sizes available upon request

## BUTT HINGES

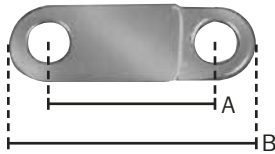
HH2  
HH3



BUTT HINGES				
ITEM#	CODE	SIZE	DESCRIPTION	FINISH
8109	HH2	2" x 1 - 9/16"	Light, narrow butt hinge, fast pin, w/ screw holes.	Zinc plated
8110	HH3	3" X 2"		Zinc plated

Packed 24 Per Carton - Special sizes available upon request

# FIRE DAMPER HARDWARE



All fusible links are listed by Underwriter's Laboratories, Inc.

FIRE DAMPER HARDWARE				
ITEM#	CODE	DESCRIPTION	DIM. A	DIM. B
2032	FLS39	temperature rating 165° 10 pound load	1"	1-1/2"
2033	FL43	temperature rating 165° 30 pound load	1-3/4"	2-9/16"
2034	FL41	temperature rating 212° 30 pound load	1-3/4"	2-9/16"
2035	FL42	temperature rating 386° 30 pound load	1-3/4"	2-9/16"

Packed 100 Per Carton

# HANGING STRAP

Duro Dyne provides Hanging Strap fabrics that are waterproof, grease, oil & acid resistant, and have low smoke & flame development.



Designed for hanging:

- Flexible Duct
- PVC Vent Duct
- Duct Board Systems
- Light Weight Steel
- Duct Applications

HANGING STRAP			
ITEM#	CODE	DESCRIPTION	SIZE
10190	VDS200	Vinyl Duro Strap	1-1/2" x 200'
10179	SVDS300	Single Sided Vinyl Duro Strap	1-1/2" x 300'
10180	NS300	Nova Strap	1-3/4" x 300'

	VINYL DURO STRAP	NOVA STRAP
<b>FLAME SPREAD &amp; SMOKE DEVELOPMENT:</b>	NFPA Class A* UBC Class 1*	Less Than 25 / Less Than 50
<b>TENSILE STRENGTH:</b>	Warp-70 lbs./In. Fill-70 lbs./In	Warp-70 lbs./In.; Fill-70 lbs./In
<b>HEAT RESISTANCE:</b>	200° F	200° F
<b>TEAR STRENGTH:</b>	Warp- 8 lbs./In. Fill-11 lbs./In	N/A
<b>FABRIC:</b>	Black vinyl coated polyester fill	Black Woven Polypropylene
<b>TOTAL FABRIC THICKNESS:</b>	.022" Approx.	.025" Approx.
<b>QUANTITY PER CARTON:</b>	10 rolls (Conveniently packaged in a dispenser box with cutting blade)	24 rolls per box
<b>ADDITIONAL INFO:</b>	*Product Meets NFPA Class A and UBC Class 1 characteristics of flame spread less than 25 and smoke development less than 50 when utilizing test method ASTM E-84.	Resistant to Grease, Oil, Gasoline and Acid.



# DYN-O-TIES™

Whenever your job calls for securing round flexible duct to outlets, pipes or fittings, you can do the job better, faster, and at a lower cost using **DYN-O-TIES™**, flexible duct ties.

No tapes, no screws, no clamps. Position the flexible duct and slip a **DYN-O-TIE** around the flexible duct over the joint. Draw the **DYN-O-TIE** tight with our ratchet action hand tool. A push with the thumb completes the job by clipping off the excess nylon tab for the neatest and most secure connection you could want. Duro Dyne **UV DYN-O-TIES** are made to resist Ultraviolet rays and adverse weather conditions when used in outdoor applications.

**DYN-O-TIES**, when properly installed, provide secure, self-extinguishing joints when connecting certain types of flexible duct listed by Underwriters Laboratories Inc., class 1.



NYLON
6/6 V2 – available in five sizes
Self-extinguishing
Fungus inert
Normal service temp. range: – 40° F to 185° F
<b>Test Results*</b> : Nylon -175 lbs.



NYLON DYN-O-TIES							
ITEM #	CODE	DESCRIPTION	COLOR	LENGTH	MAX. DIA.	PKG.	PKG./CTN
8322	DN36	Nylon - USA Made	Natural	36"	11"	50	10
8312	DNC36	Nylon - USA Made	Natural	36"	11"	100	5
8323	DN48	Nylon - USA Made	Natural	48"	14"	50	10
7002	UVDN48	UV Resistant Nylon USA Made	Black	48"	14"	50	10
7003	UVDN36	UV Resistant Nylon USA Made	Black	36"	11"	50	10
8311	DN36	Nylon - USA Made	Natural	36"	11"	25	20
8305	DN48	Nylon - USA Made	Natural	48"	14"	25	20
7004	DN36N	Nylon - Imported	Natural	36"	11"	50	10
7005	DN48N	Nylon - Imported	Natural	48"	14"	50	10



181B-C 13ER  
MH19757  
For use with UL nonmetallic  
airducts and air connectors

**\*Test Method:** Tie is secured at both ends forming a loop. A weight is suspended from the bottom of loop to determine tensile strength of **DYN-O-TIE** strap.



MINI DYN-O-TIES					
ITEM #	CODE	DESCRIPTION	COLOR	LENGTH	MAX. DIA.
7043	DNM05M	Nylon	Natural	5"	1.38"
7042	DNM05UVM	UV Resistant Nylon	Black	5"	1.38"
7018	DNM08M	Nylon	Natural	8"	1.97"
7020	DNM08UVM	UV Resistant Nylon	Black	8"	1.97"
7022	DNM11M	Nylon	Natural	11"	2.76"
7024	DNM11UVM	UV Resistant Nylon	Black	11"	2.76"
7026	DNM14M	Nylon	Natural	14"	4.02"
7028	DNM14UVM	UV Resistant Nylon	Black	14"	4.02"



MINI DYN-O-TIES WITH MOUNTING HOLE					
ITEM #	CODE	DESCRIPTION	COLOR	LENGTH	MAX. DIA.
6367	DNMH08M	Nylon	Natural	8"	1.97"
6368	DNMH08UVM	UV Resistant Nylon	Black	8"	1.97"

## DYN-O-TIE GUN INSTALLATION TOOL

The DIT-2 gun is light weight and commonly used to install most makes of nylon duct ties.

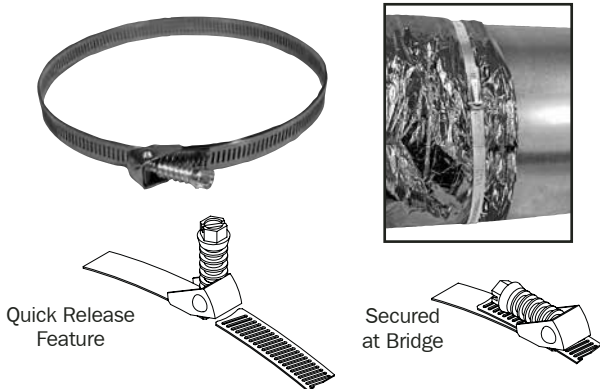


DIT-2

DYN-O-TIE GUN		
ITEM #	CODE	DESCRIPTION
8229	DIT2	For use with nylon

# STAINLESS STEEL DYNA-CLAMPS™

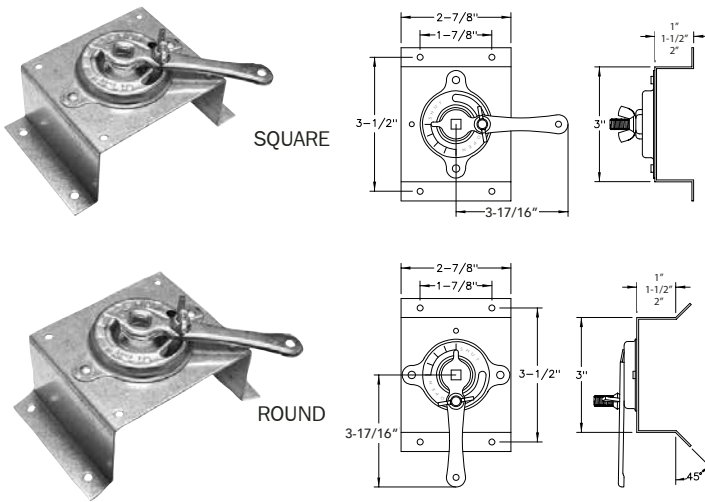
The Dyna-Clamp is an efficient way to secure flex or rigid round duct connections. The stainless steel band can withstand up to 60 PSI, as well as extreme temperature conditions. The band is secured in place at the bridge by a slotted hex head screw. This zinc plated carbon steel screw can be flipped up away from the band to offer a quick release when adjustments are needed. Dyna-Clamps are available in stock sizes ranging from a 7" diameter to 20". Two or more clamps can also be connected together to accommodate duct diameters over 20".



DYNA-CLAMPS				
ITEM #	CODE	MAXIMUM DIAMETER	MINIMUM DIAMETER	OVERALL LENGTH
7012	DT7WD	7"	1.75"	23.5"
7007	DT8WD	8"	1.75"	28.25"
7008	DT10WD	10"	1.75"	33"
7009	DT12WD	12"	1.75"	40"
7010	DT15WD	15"	1.75"	48.75"
7011	DT16WD	16"	1.75"	52.5"
7013	DT18WD	18"	1.75"	57.31"
7044	DT20WD	20"	1.75"	63.58"

# STAINLESS STEEL HARDWARE

## STANDOFF 3/8" DIAL REGULATOR (FOR DAMPERS UP TO 20")



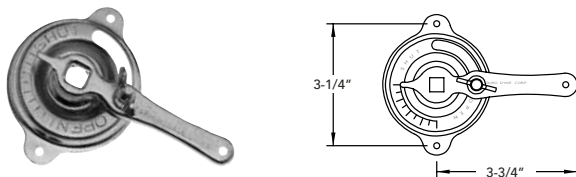
300 SERIES FOR SQUARE DUCT			
ITEM#	CODE	SHAFT SIZE	STAND HEIGHT
7290	KR3SS-100	3/8" sq.	1"
7292	KR3SS-150	3/8" sq.	1-1/2"
7294	KR3SS-200	3/8" sq.	2"

Packed 10 Per Carton.

300 SERIES FOR ROUND DUCT			
ITEM#	CODE	SHAFT SIZE	STAND HEIGHT
7291	KR3SS-100R	3/8" sq.	1"
7293	KR3SS-150R	3/8" sq.	1-1/2"
7295	KR3SS-200R	3/8" sq.	2"

Packed 10 Per Carton.

## 3/8" DIAL REGULATOR (FOR DAMPERS UP TO 20")



3/8" DIAL REGULATOR		
ITEM#	CODE	DESCRIPTION
8272	KR3SS	3/8" Stainless Steel dial regulator only

Packed 10 Per Carton

## ACCESS DOORS LOCKING DEVICE



ACCESS DOORS LOCKING DEVICES			
ITEM#	CODE	DESCRIPTION	QTY. PER CTN.
8396	CMLK-SS	Stainless Steel Cam-Lock	100

# STAINLESS STEEL HARDWARE (CONTINUED)

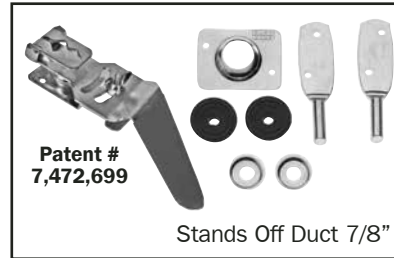
## 1/2" SPEC SEAL™ UNIVERSAL REGULATOR SET (FOR DAMPERS UP TO 30")

The Spec-Seal Regulator Set utilizes a special rubber seal for applications up to 500°F constant temperature. It eliminates leakage and rattle via the Shaft Loc Mechanism in high pressure systems. The handle's unique design utilizes a highly-visible orange plastic cover showing the damper position. This kit includes 1/2" square bearing shafts. Individual parts available upon request.

### Set Consists of:

- Regulator
- 2 Rubber Seals
- 2 Metal Washers
- 2 End Bearings
- End Bearing Support

SPEC-SEAL™		
ITEM#	CODE	BEARING TYPE
8301	AL12SS	1/2" Square Stainless
Quantity per carton: 10 sets		



## END BEARINGS

(PACKED 10 PER CARTON)



3/8" SQUARE		
ITEM#	CODE	APPROX. DIM.
7393	KP9XL-SS	3/8" x 3-1/8"



1/2" SQUARE		
ITEM#	CODE	APPROX. DIM.
7395	KP10S-SS	1/2" x 1-1/4"

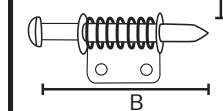


1/2" ROUND		
ITEM#	CODE	APPROX. DIM.
7394	KP10R-SS	1/2" x 1-1/4"



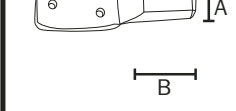
SPRING LOC		
ITEM#	CODE	APPROX. DIM.
7396	KP7LSS	3/8" x 3-3/4"

Spring Loc Example  
KP7LSS #7396:



ITEM#	APPROX. DIM.
7396	3/8"(A) x 3-3/4"(B)

Square Example  
KP10S-SS #7395:



ITEM#	APPROX. DIM.
7395	1/2"(A) x 1-1/4"(B)

## MULTI-BLADE DAMPER KITS AND PARTS

### BLADE KITS



BLADE KITS		
ITEM#	CODE	DESCRIPTION
2057	BKP61SS	Stainless BK-2/Pivot/Screw Not Neva Bind

### BLADE BRACKETS



HIGH BRACKETS		
ITEM#	CODE	DESCRIPTION
2049	BKP52SS	Stainless BKP-22
2047	BKP50SS	Stainless BKP-25
2048	BKP51SS	Stainless Hi Bracket Only

BKP54SS

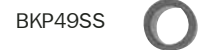


BKP62SS



LOW BRACKETS		
ITEM#	CODE	DESCRIPTION
2058	BKP54SS	Stainless Low Bracket/Pivot/Screw
2050	BKP53SS	Stainless Low Bracket Only
2062	BKP62SS	Stainless Low Bracket/Pivot/Lollypop

### BUSHINGS



BUSHINGS		
ITEM#	CODE	DESCRIPTION
2085	BKP49SS	Stainless 1/2" Bushing

### STANDARD PINS



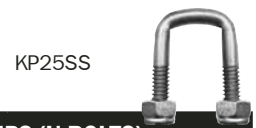
STANDARD PINS		
ITEM#	CODE	DESCRIPTION
2051	BKP55SS	Stainless 1/2" diameter pin 2-1/2" long
2068	BKP63SS	Stainless 1/2" diameter pin 6" long

### STRAPS



STRAP & SET SCREW		
ITEM#	CODE	DESCRIPTION
2052	BKP56SS	Stainless Strap/Screw

### ROD CLIPS



ROD CLIPS (U-BOLTS)		
ITEM#	CODE	DESCRIPTION
7397	KP25SS	3/8" Stainless Damper Rod Clips w/ Nyloc Nut

Please Visit Our Website  
**www.durodyne.com**  
for the most current product information.



© Duro Dyne Corp.  
Printed in USA 10/12/16  
BB008402

Duro Dyne East Division, Bay Shore, NY	631-249-9000	Fax: 631-249-8346
Duro Dyne Midwest Division, Hamilton, OH	513-870-6000	Fax: 513-870-6005
Duro Dyne West Division, Fontana, CA	562-926-1774	Fax: 562-926-5778
Duro Dyne Canada, Lachine, Quebec, Canada	514-422-9760	Fax: 514-636-0328

www.durodyne.com E-mail: durodyne@durodyne.com