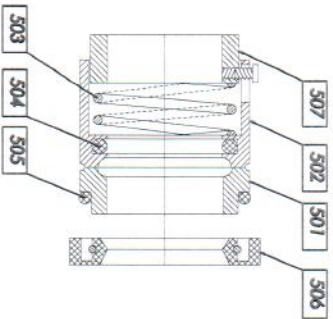


**SEAL SECTION
ZOOM 2x**



ULTRA POMPE srl
Via Gordon 37 - 20090 Trezzano S/N MI
Tel. 02/48464552 - Fax 02/48464544

Non autorizziamo la ristampa o l'uso
non autorizzato senza permesso scritto dalla
ULTRA POMPE srl. È vietata espressamente
la ristampa o l'uso non autorizzato senza
il permesso scritto dalla ULTRA POMPE srl.

SECTION G Series

GP-V

Size from 144cc/rev to 300cc/rev

DRAWING NUMBER: _____
FLANGE TYPE: _____
CUSTOMER: _____ DATE: **17.07.08** DRAWN BY: **AD**

POS.	DESCRIPTION	PIECES	MATERIAL
------	-------------	--------	----------

110	HOUSING	1	G 25
120	REAR COVER	1	G 25
130	FRONT COVER	1	G 25
150	MECH. SEAL COVER	1	G 25
191	FOOT	2	ALUMINIUM
200	KEY	1	STEEL
210	DRIVING ROTOR	1	39NICMO13
220	DRIVEN ROTOR	1	39NICMO13
230	BEARINGS	4	STEEL-PTFE
310	GASKET OR HOUSING	2	PPM
311	GASKET OR SEAL	1	PPM

POS.	DESCRIPTION	PIECES	MATERIAL
------	-------------	--------	----------

500	MECH. SEAL (COMPLETE)	1	GRAPHITE
501	STATIONARY FACE	1	S.STEEL
502	ROTATING FACE	1	S.STEEL
503	SPRING	1	S.STEEL
504	ROTATING GASKET	1	PPM
505	STATIONARY GASKET	1	PPM
506	LIP SEAL	1	PPM
507	BIDIRECTIONAL BLOCK	1	S.STEEL
900	PPM	4	STEEL
911	BOLT REAR	8	STEEL
912	BOLT SEAL	4	STEEL
913	BOLT FRONT	4	STEEL
921	WASHER REAR	8	STEEL
922	WASHER SEAL	4	STEEL
923	WASHER FRONT	4	STEEL
950	CLIP RING	1	STEEL

PERFORMANCE CURVE

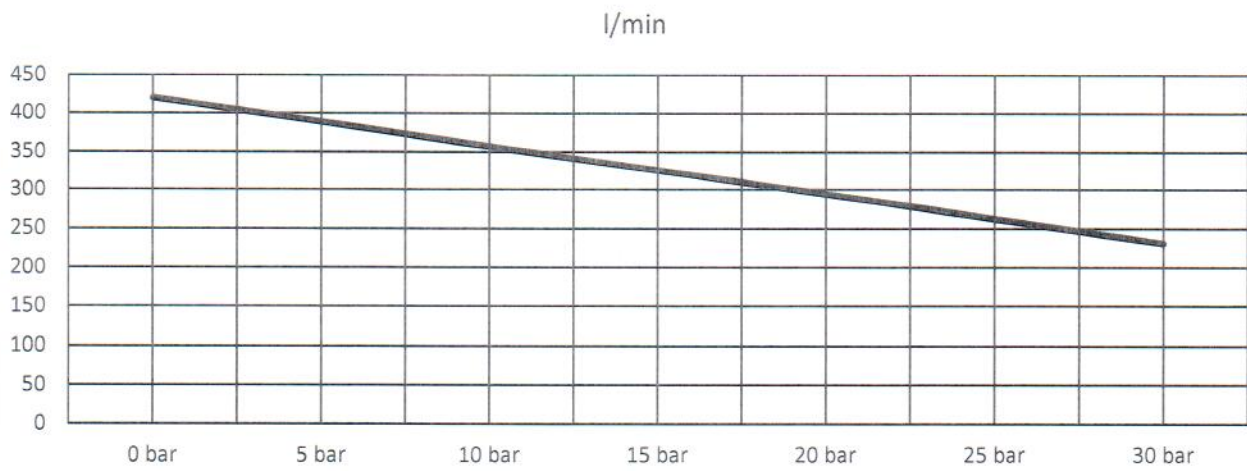
ITEM ...

1. PARAMETERS

Pump model	Pump capacity	
GP-300	300	cc/rev

Rated viscosity		Rated Speed	
15-50	cSt	1400	rpm

2. ESTIMATED RATED DELIVERY



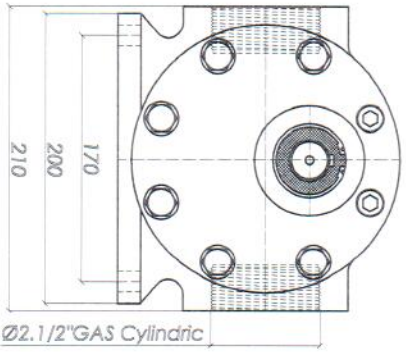
3. ESTIMATED RATED ABSORBED POWER



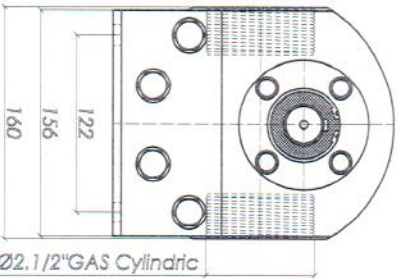
4. NOTE - DISCLAIMER

WARNING: Curves are not binding and must be considered just as example of possible performance of a gear pumps. All performance data don't take care of temperature, site conditions, media conditions, start-up conditions and wear. In real, motors speeds have a tolerance of +/- 8%.

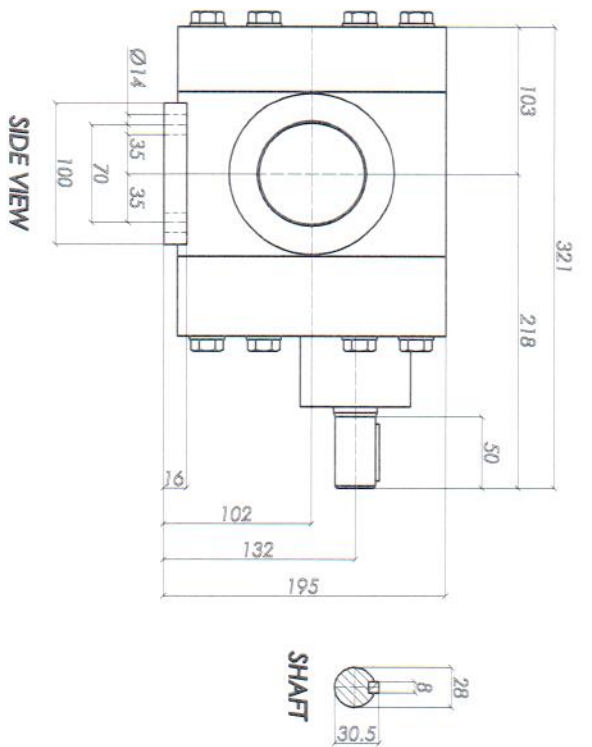
WARNING: Preliminary for quotation



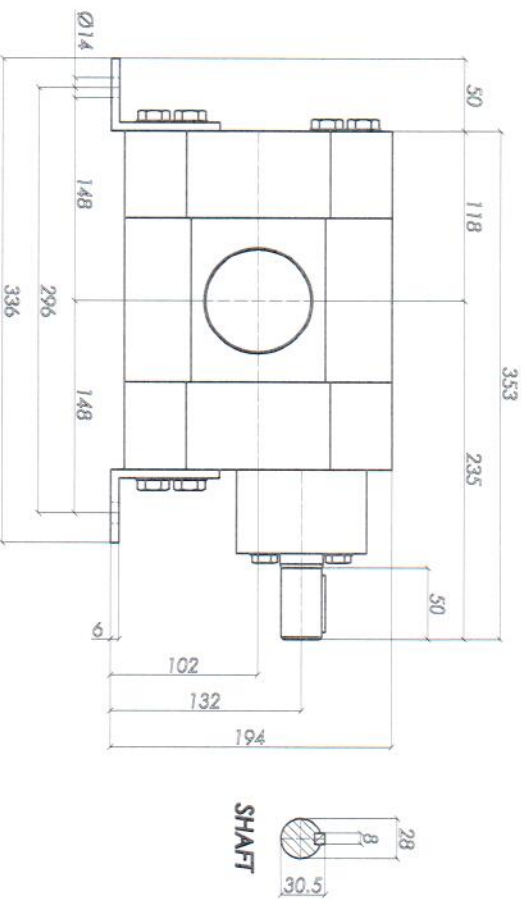
FRONT VIEW



FRONT VIEW



SIDE VIEW



SIDE VIEW

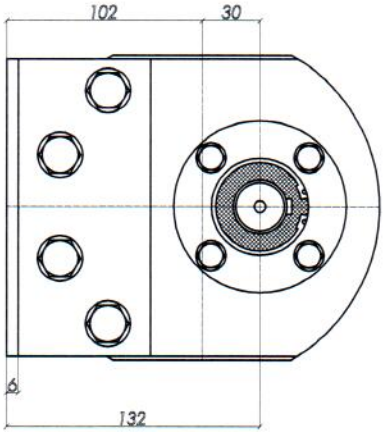


ULTRA POMPE Srl
 Via Goldoni 37 - 20090 Trezzano S/N MI
 Tel. 02/48464552 - Fax 02/48464544

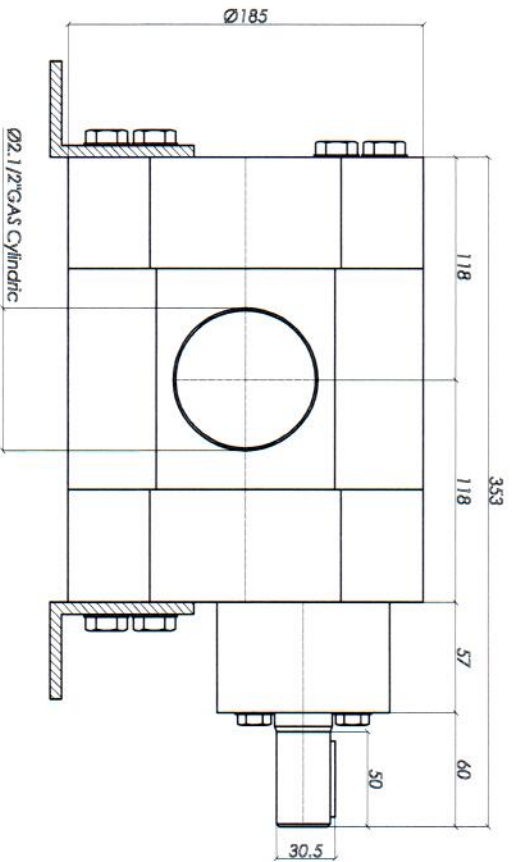
This drawing is exclusive property of
ULTRA POMPE Srl
 Without written license of the owner it is not allowed to use
 it for manufacturing the object hereabove described, or to
 take pieces of information from it, as it is stated in the
 european community property law.

DRAWING	DATE	DRAWN BY
COMPARISON TABLE - N-305 and GP-300 pump	April 10	AD
DIMENSION		
mm		

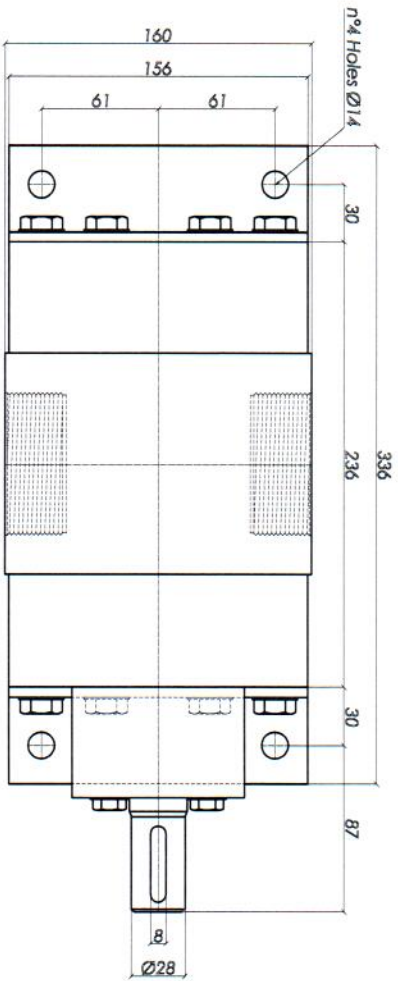




FRONT VIEW



SIDE VIEW



TOP VIEW



ULTRA POMPE srl
Via Goldoni 37 - 20090 Trezzano S/N MI
Tel. 02/48464552 - Fax 02/48464544

This drawing is the exclusive property of
ULTRA POMPE srl
No part of this drawing or the content thereof may be reproduced or transmitted in any form or by any means electronic, mechanical, photocopying, recording, or by any information storage and retrieval system, or by any means now known or hereinafter invented, without the prior written permission of the copyright owner.

OVERALL DIMENSIONS

DRAWING		SERIES AND SIZE		CONFIGURATION		OPTIONS	
GP300, SP300		FOOT		None		DRAWN BY	
As Specified		23.05.07		AD			