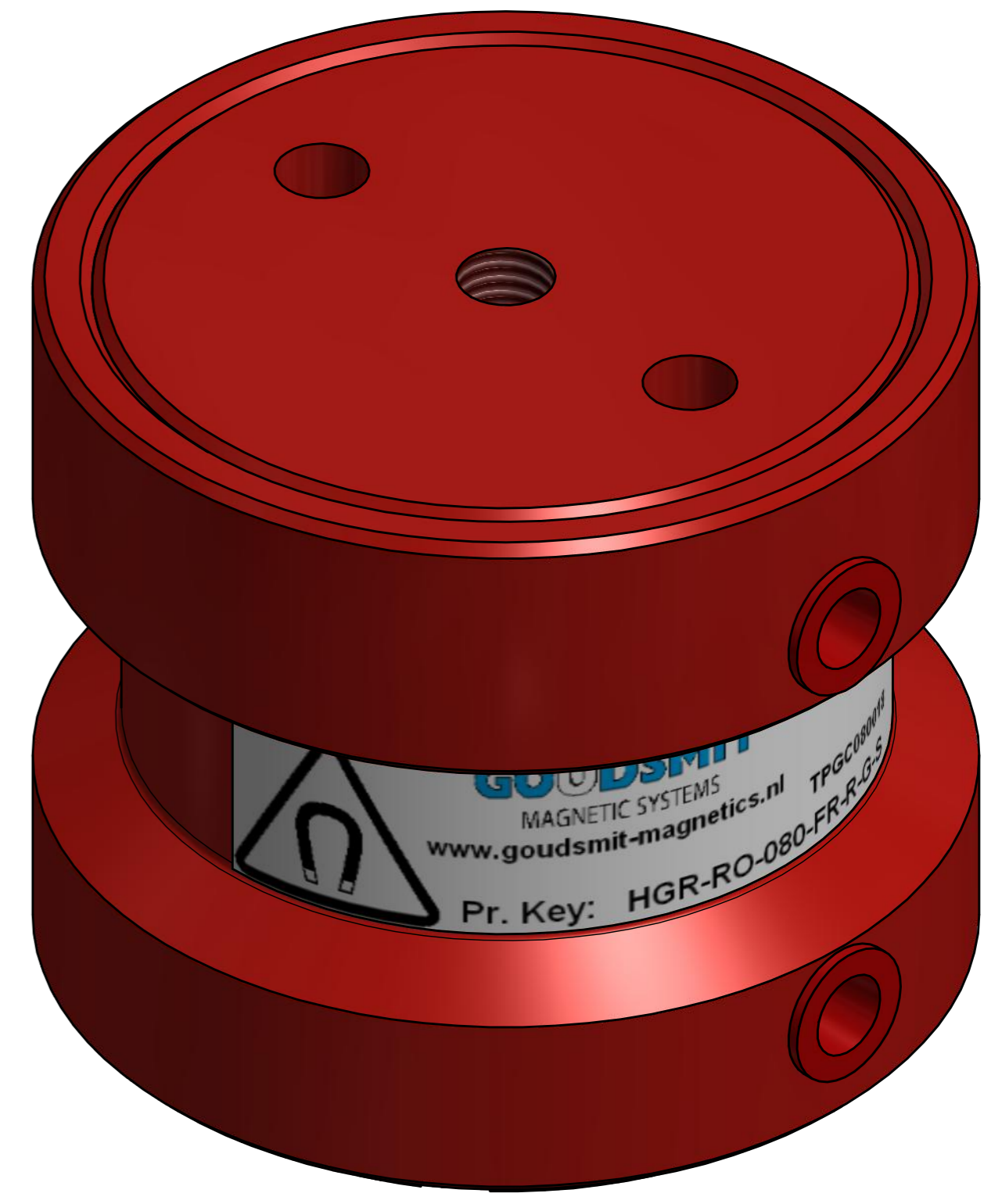
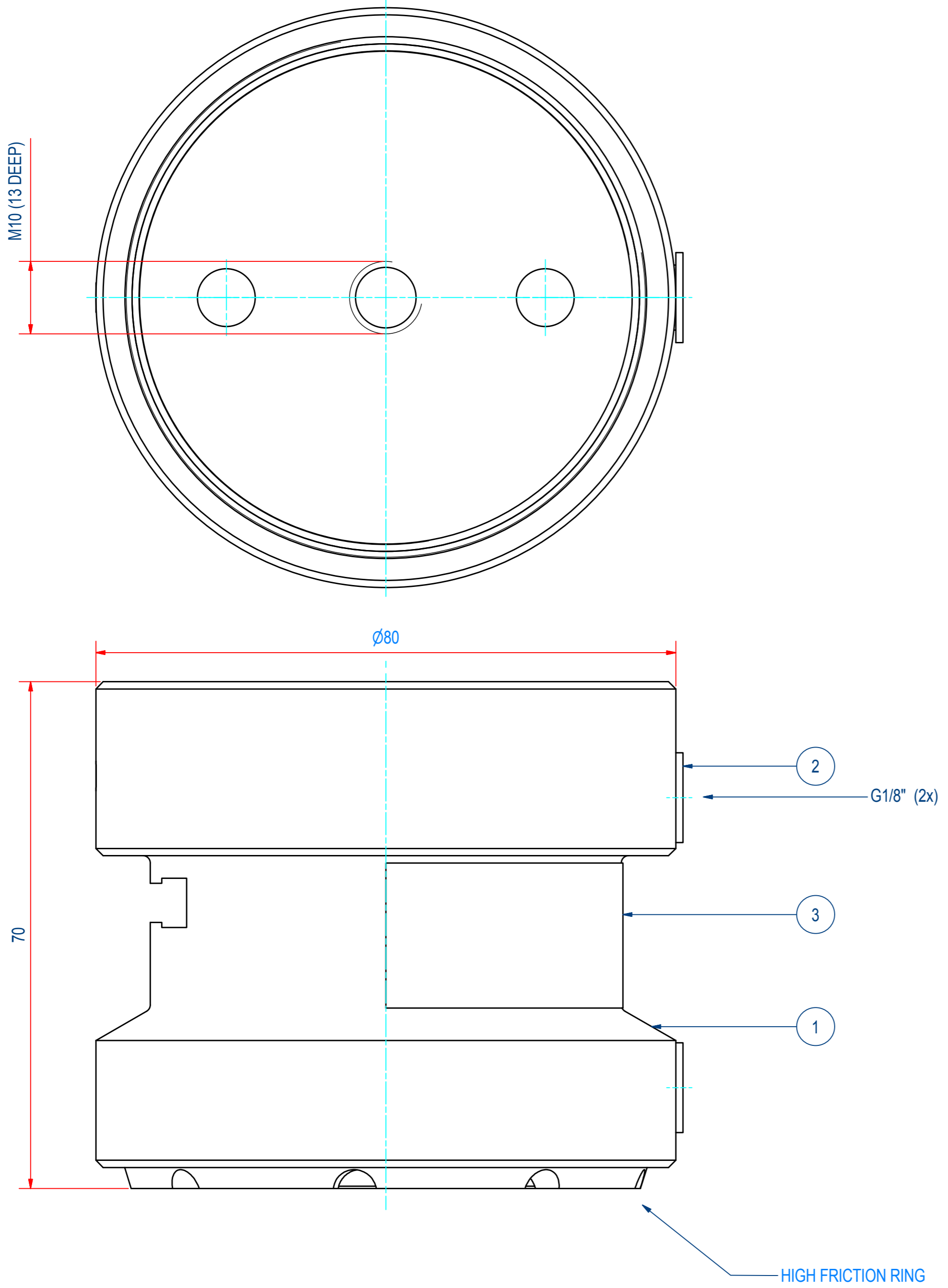


REV	DATE	BY	DESCRIPTION
-	8-7-2013	BS	NEW VAULT, NOTHING CHANGED, IS EQUAL TO OLD REVISION E



ITEM	QTY	PART NUMBER	DESCRIPTION	Dimensions	
3	1	E0038096	STICKER TPGC080018		
2	2	1009.30012	PLUG LDPE G1/8"		
1	1	M35482	MAGN. GRIPPER ASSY D80x70		
RAW MAT.	QTY	MAT. NUMBER	MAT. DESCRIPTION	LENGTH (mm)	WIDTH (mm)
⊕	1				
Sheet: A2		Extra info:		General tolerance: ISO 2768 - mK	
Drawn: BS		Weight (kg): 0,7		Drawn according: ISO268; ISO1101; ISO2553	
Date: 8-7-2013				Status: Standard	
Spare part: False				Customer reference number:	
Quick search: TPGC080		© All rights reserved. Reproduction is not permitted without written permission of GOUDSMIT Magnetic Systems BV		File number: TPGC080018	
Description: HGR-RO-080-FR-R-G-S				Part number: TPGC080018	