

HOME ▶ ACCESSORIES ▶ AIR-BLEED VALVES

- Maximum pressure: 400 bar
- Available with GAS or METRIC thread

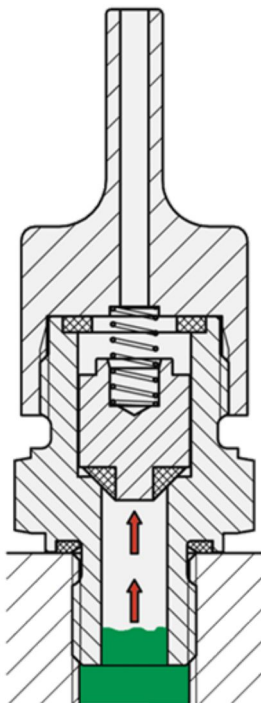
Hydraulic systems can effectively be bled with ABV air-bleed valves.

Easily installed, maintenance-free, almost unlimited service life, simple, safe, reliable and efficient. The system can be operated immediately. No control irregularities due to air contamination of the pressure medium.

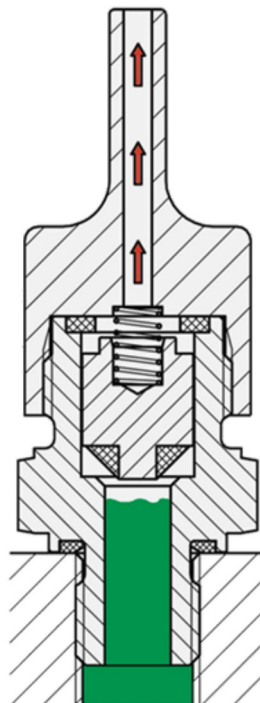
**Cost saving:** as non-productive de-aeration time is saved.

Air bleed between: opening pressure 0.1 bar and closing pressure about 1 bar.

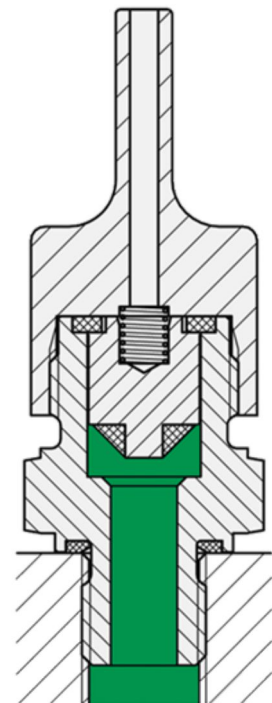
AVB air-bleed valves are available with GAS or METRIC thread only for mineral oil based fluids, and within the temperature limits of -15 °C to +90°C.


**SCHEMA DI FUNZIONAMENTO / OPERATION DIAGRAM**


**PRIMA DELLO SCARICO**  
 (sistema depressurizzato)  
**BEFORE BLEEDING**  
 (system without pressure)

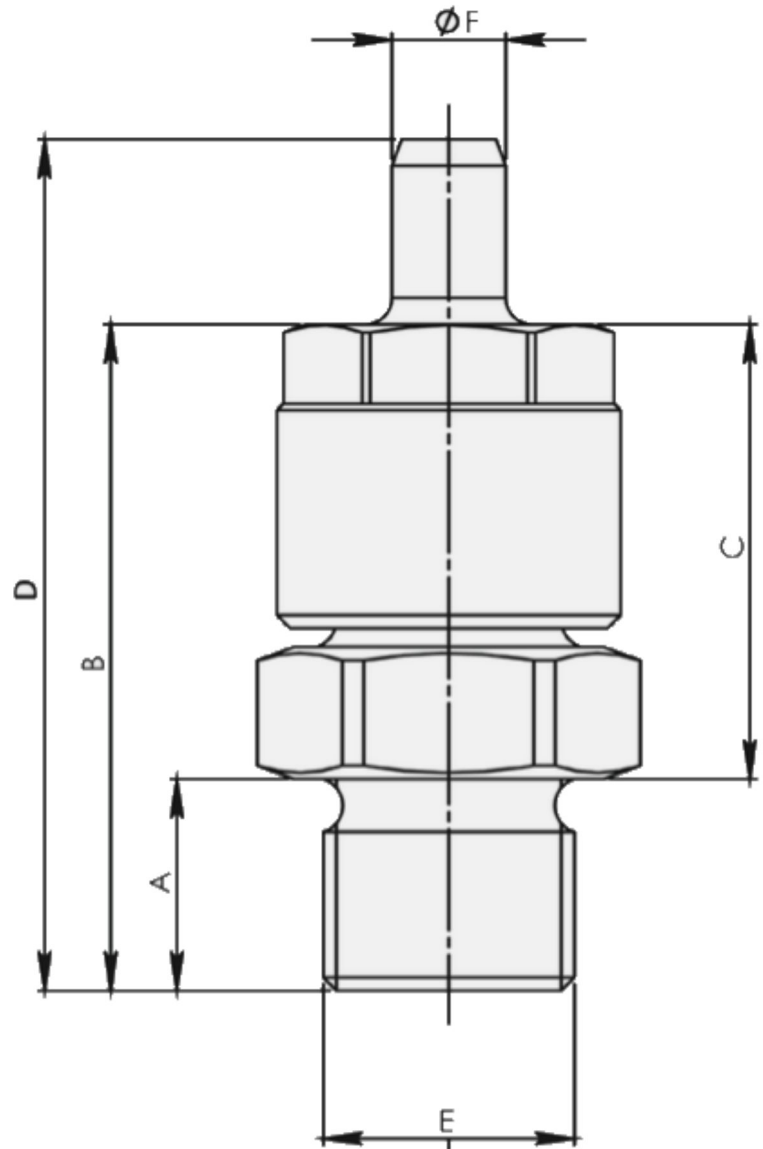


**FUORIUSICTA D'ARIA**  
 (sistema in funzione 0,1 bar)  
**AIR ESCAPES**  
 (system operated 0,1 bar)



**ARIA ELIMINATA**  
 (sistema sotto pressione  $\geq 1$  bar)  
**AIR REMOVED**  
 (system under pressure  $\geq 1$  bar)

# DIMENSIONI ABV / ABV DIMENSIONS



	<b>ABV-8</b>	<b>ABV-18</b>	<b>ABV-14</b>
<b>A</b>	8	8	12
<b>B</b>	25	25	46
<b>C</b>	17	17	34
<b>D</b>	32	32	55
<b>E</b>	M8x1	G1/8	G1/4
<b>F <math>\phi</math></b>	4,3	4,3	6,3
<b>G</b>	13	13	22

