



Features

- ⦿ Improving creepage
- ⦿ For tension and compression
- ⦿ Fast response
(DC to 50 Hz when the tip is fixed)

DTT-A: Potentiometer type

DTS-A: Strain type

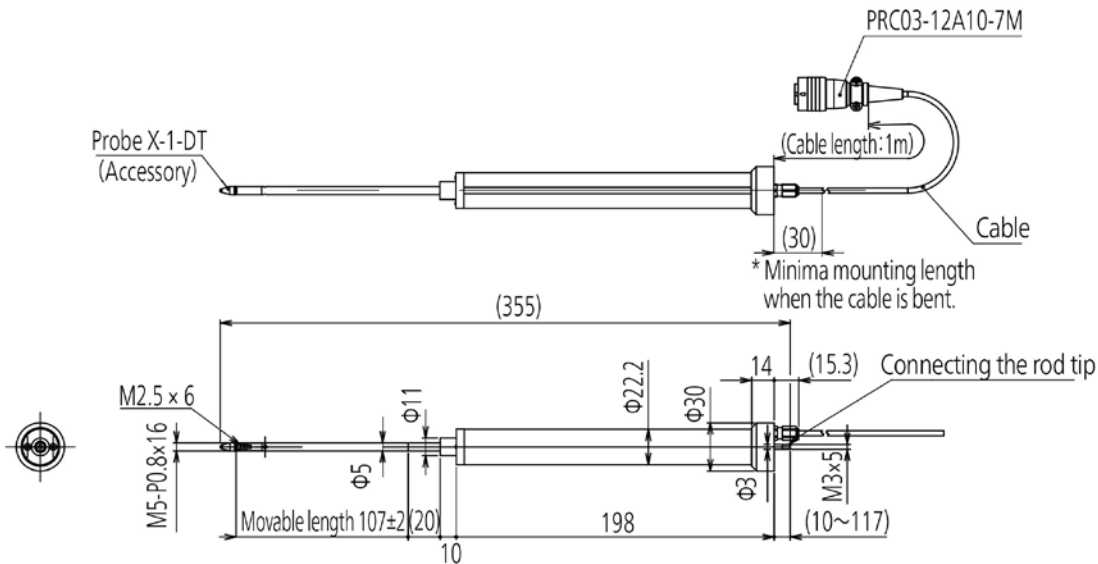
Specifications

Model	DTT-A-100	DTS-A-100
Type	Potentiometer	Strain
Performance		
Rated capacity	100mm	
Nonlinearity	Within $\pm 0.2\%$ RO	Within $\pm 0.3\%$ RO
Hysteresis	Within $\pm 0.2\%$ RO	Within $\pm 0.3\%$ RO
Repeatability	0.1%RO or less	
Rated output	0.9V/V $\pm 10\%$	2.5 mV/V $\pm 10\%$ (5000 $\mu\text{m}/\text{m} \pm 10\%$)
Environmental characteristics		
Safe temperature range	-10 to 70 °C(Noncondensing)	
Compensated temperature range	0 to 60 °C(Noncondensing)	
Temperature effect on zero balance	Within $\pm 0.05\%$ RO / °C	
Temperature effect on output	Within $\pm 0.05\%$ /°C	
Electrical characteristics		
Safe excitation voltage	36V DC(23°C)	10 VAC or DC
Recommended excitation voltage	2 to 10 VDC	1 to 5 VAC or DC
Resistance	1k $\Omega \pm 20\%$	Input resistance: 350 $\Omega \pm 3\%$ Output resistance: 255 $\Omega \pm 10\%$
Cable	4-conductor(0.08 mm ²) vinyl shielded cable, 3.2 mm diameter by 1 m long, terminated with connector plug (Shielded wire is not connected to mainframe)	
Mechanical properties		
Frequency response range	DC to approx.6 Hz (When the gage head is touching to the testing machine, displacement: 100mm) (Reference: DC to approx. 50Hz) (When the gage head is fixed,displacement:30 mm)	
Measuring force	Approx. 5N	
Weight	Approx. 110g (excluding cable)	
Protection rating	IP40 equivalency (JIS C 0920)	

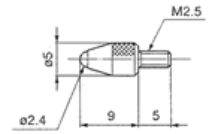
◆Accessories

Probe: X-1-DT, 1 PC Adapter 1 PC
Mounting band 2 PCs

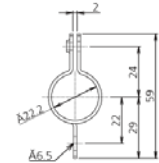
Dimensions



Replacement probes X-1-DT



Mounting band FXBP-100A



Options for displacement transducers

◆ Replacement probes

XS-5-DT



H-1-DT



SH-2-DT



XS-105-DT



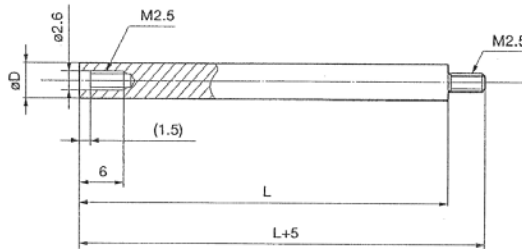
XS-2-DT



XS-6-DT



◆ Extension rods



Model	φD	L
EB-50	4	50
EB-100	5	100
EB-200	6	200
EB-300	6	300

Move into the future with reliable measurements



JQA-0821
JQA-EM4824

Specifications are subject to change without notice for improvement.



Safety precautions

Be sure to observe the safety precautions given in the instruction manual, in order to ensure correct and safe operation.

Manufacturer's Representative

ZSE Electronic Mess-Systeme & Sensortechnik GmbH

In den Freßäckern 28
D-74321 Bietigheim-Bissingen
Telefon: 07142 6845 - Fax: 07142 6997
e-mail: info@zse.de - www.zse.de