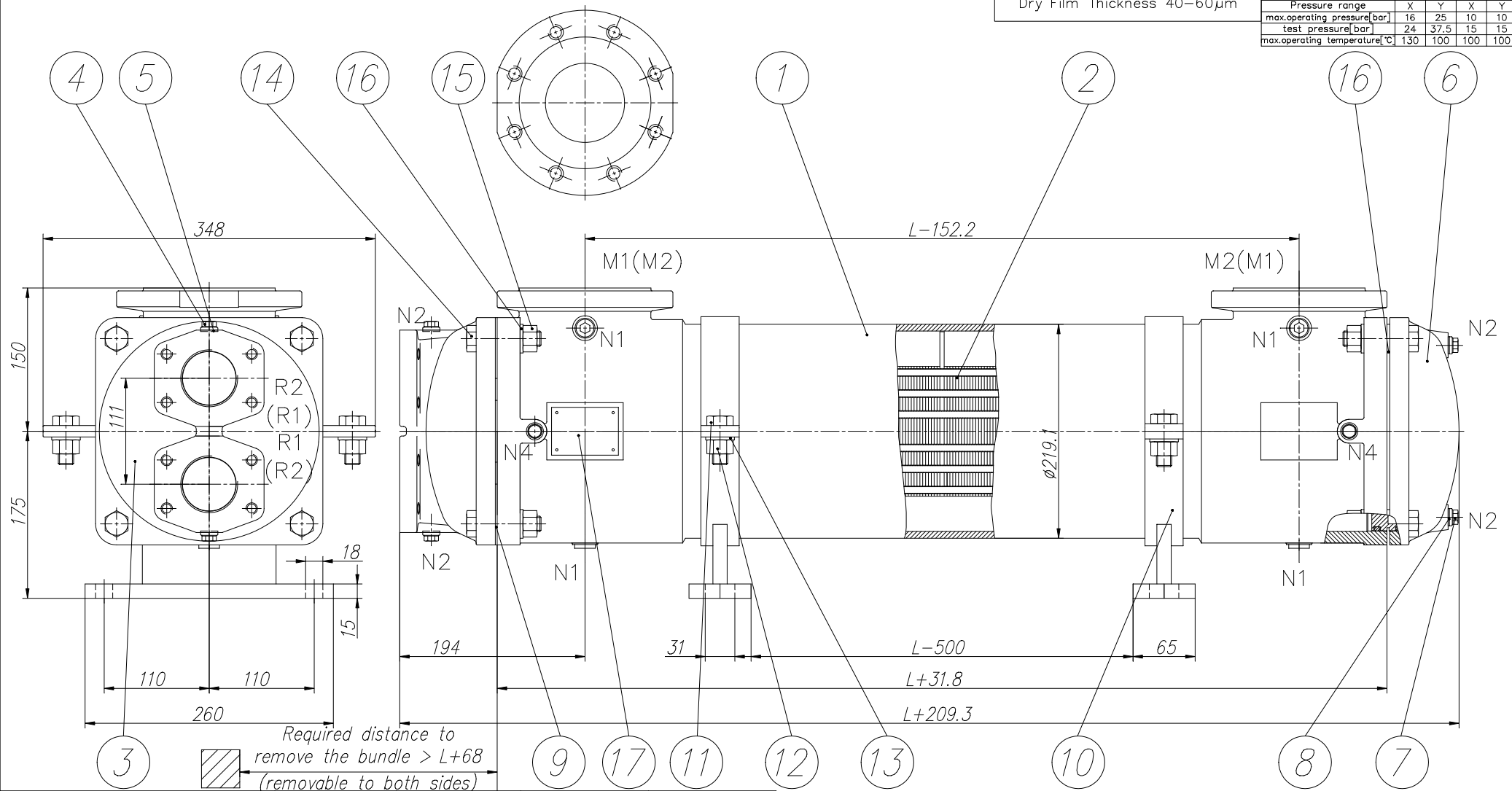


Primer:
2-Component-Epoxy Resin
Dry Film Thickness 40-60µm

approved pressures and temperatures for ABS/BV/DNV/GL/LRS/RS/RINA/TÜV:				
Pressure range	Shellside		Tubeside	
	X	Y	X	Y
max. operating pressure [bar]	16	25	10	10
test pressure [bar]	24	37.5	15	15
max. operating temperature [°C]	130	100	100	100



	Shellside	Shellside	Tubeside	Tubeside
	X	Y	X	Y
Pressure range	X	Y	X	Y
Max. operating pressure PS [bar]	-1/16	-1/30	-1/10	-1/10
Test pressure, PT [bar]	22,88	42,9	14,3	14,3
Max. operating temperature, TS [°C]	-10/130	-10/100	-10/100	-10/100
Content [dm ³] (L[m],LT[mm])	Lx(24,77-6,61/LT)+1,1		7,08xL+3,8	
Joint-Flange (1=IN/2=OUT)	M1/M2=DN80 (PN40) EN 1092-1 Type B raised face		R1/R2=SAE 2 1/2" (PN16) ISO 6162-1	
Joint-Thread (1=IN/2=OUT)	-		R1/R2=G2" DIN ISO 228-1 BSPP	
Vent/Drain (DIN ISO 228-1 BSPP)	N1=6x G1/2", N4=4x G1/4"		N2=4x G1/4"	
Anodes	-		-	

THIS DRAWINGS AND ALL THE DATA CONTAINED HEREIN IS THE EXCLUSIVE PROPERTY OF HS-COOLER GMBH AND MAY NOT BE DISCLOSED TO OTHERS WITHOUT WRITTEN CONSENT.

SURFACE QUALITY
DIN ISO 1302

GENERAL TOLERANCE
ISO 2768-m
ISO 13920-CF

SCALE: 1:4

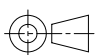
(WEIGHT:)

(MATERIAL:)

Format: A3

	DATE	NAME
DRAW	01.12.99	Garbe
CHECK	21.02.00	Graulich

Heat exchanger
L500 to L3600



SYM	REV.RECORD	DATE	NAME
D	Test pressure, Norm	14.06.16	AH
C	Corr. long hole-bracket	28.09.09	BS
B	Test Pressure	01.01.04	Gar
A	Pressure Y	01.02.02	Gar



KS20-A##-#21

SHEET:
1
1 Sh.

AutoCAD LT 2009

FILE: KS20-A##-#21.dwg