

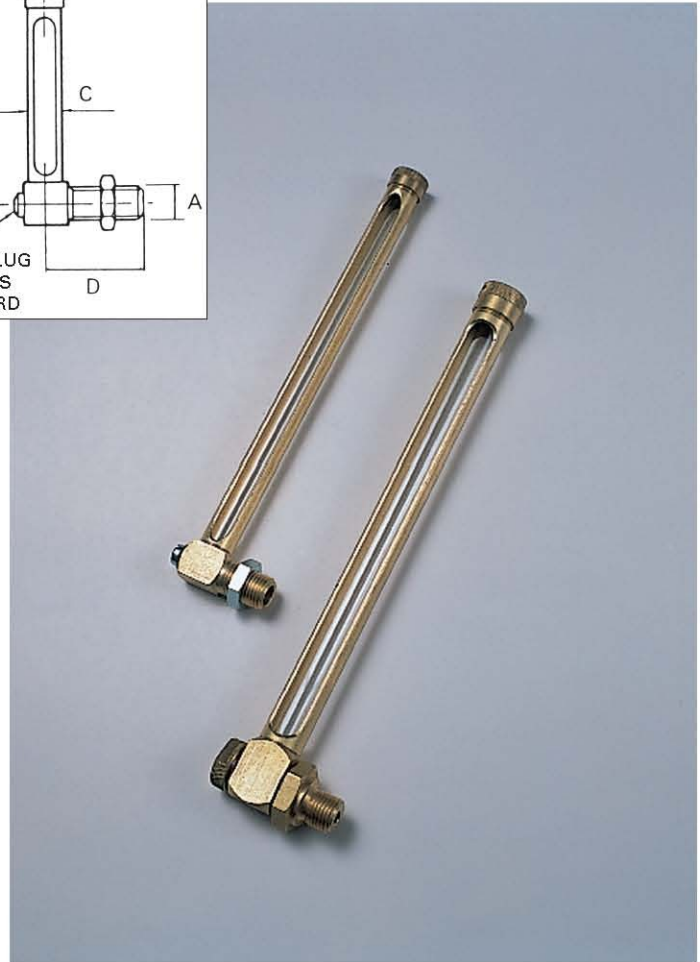
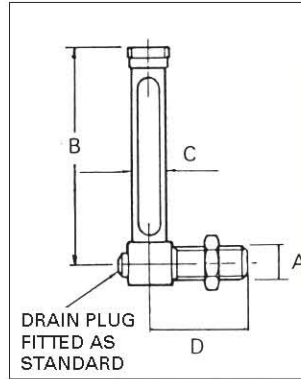
Oil Levels and Windows

OIL LEVELS

WITH LOCKNUT (DIN 3018)

Material - BRASS, GLASS Finish - NATURAL
Maximum Working Temperature 90° C

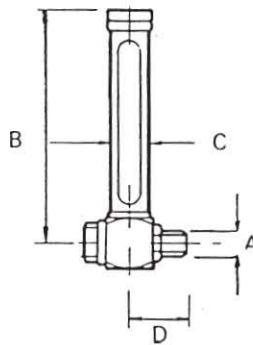
Product Code	A	B mm	C mm	D mm		
FGM 150	1/8	50	13	27		
FGM 160	BSP	60	13	27		
FGM 180		80	13	27		
FGM 250		50	13	27		
FGM 260	1/4	60	13	27		
FGM 280		80	13	27		
FGM 2100		100	13	27		
FGM 2125		BSP	125	13	27	
FGM 2150			150	13	27	
FGM 2175			175	13	27	
FGM 2200			200	13	27	
FGM 2250			250	13	27	
FGM 2300			300	13	27	
FGM 350			3/8	50	13	34
FGM 360	60			13	34	
FGM 380	80			13	34	
FGM 3100	100			13	34	
FGM 3125	BSP	125		13	34	
FGM 3150		150		13	34	
FGM 3175		175		13	34	
FGM 3200		200		13	34	
FGM 3250		250		13	34	
FGM 3300		300		13	34	
FGM 4100		1/2	100	16	38	
FGM 4125			125	16	38	
FGM 4150			BSP	150	16	38
FGM 4200				200	16	38
FGM 4250	250			16	38	



WITH BANJO COUPLING (DIN 3018)

Material - BRASS, GLASS. Finish - NATURAL
Maximum Working Temperature 90° C

Product Code	A	B mm	C mm	D mm	
FGB 160	1/8	60	16	28	
FGB 180		80	16	28	
FGB 1100		BSP	100	16	28
FGB 1125			125	16	28
FGB 250	50		16	30	
FGB 260	60		16	30	
FGB 280	1/4	80	16	30	
FGB 2100		100	16	30	
FGB 2125		BSP	125	16	30
FGB 2150			150	16	30
FGB 2175			175	16	30
FGB 2200			200	16	30
FGB 2250			250	16	30
FGB 2300			300	16	30



3/8 BSP, 1/2 BSP and NPT sizes available on request