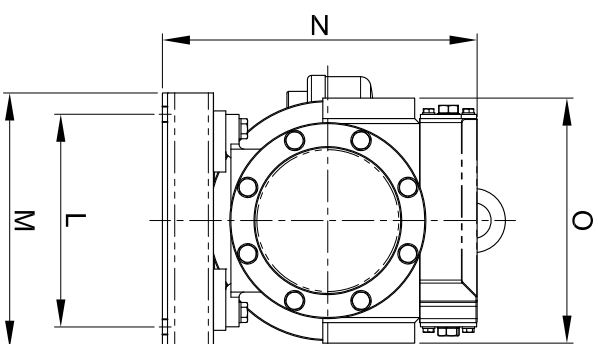
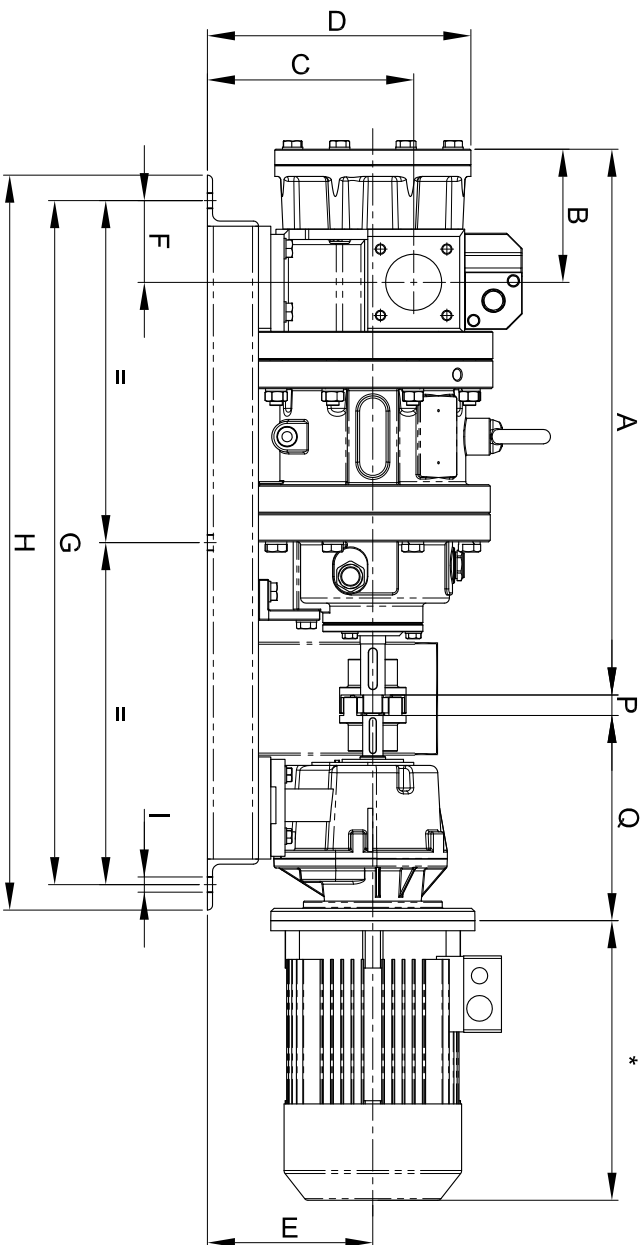


# OUTLINE DRAWING

CODE: D 11827 Rev.:01



## DIMENSIONS

A	B	C	D	E	F	G	H	I	L	M	N	O	P	Q
532	128	202	258	162	85	700	740	15	220	250	310	240	20	220

- This drawing is for reference only

- Pump may be supplied without motor

- All dimensions are in millimeters

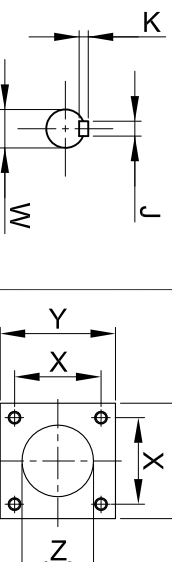
\* Depend on the manufacturer

Reducer: Type AS20  
Shaft D20  
Flange D200

Elastic Joint: Habix Size 28

Bearing Frame Shaft

Flanges



K	J	W	X	Y	Z
7	8	24	65	90	52



Pump model: MHV MAG-M55

ITEM:

Motor: IEC Gr80/90

Port connections: Flanged