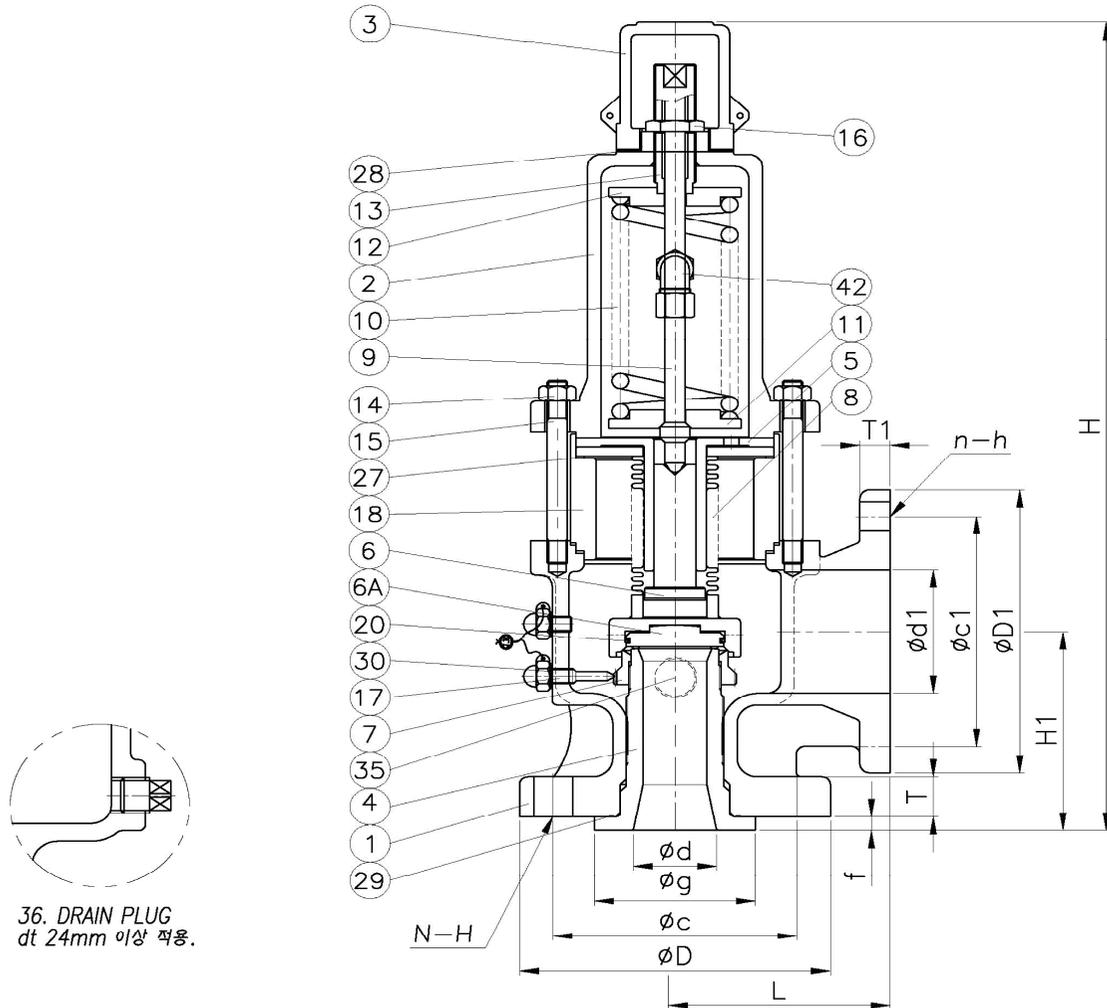


TAG NO.



36. DRAIN PLUG
dt 24mm 이상 적용.

NO	PART NAME	MATERIAL	QTY	REMARK
42	VENT VALVE	BRASS	1	
36	PLUG	A105	1	
30	SET SCREW GASKET	PTFE	1	
29	SEAT GASKET	PTFE	1	
28	CAP GASKET	PTFE	1	
27	BONNET GASKET	PTFE	1	
20	DISC RING	A276 304	1	
18	SPACER	SC480	1	
17	SET SCREW(LOW.)	A276 316	1	
16	LOCK NUT	A276 304	1	
15	STUD BOLT	A193 B7	6	
14	STUD NUT	A194 2H	6	
13	ADJUST SCREW	A276 410	1	
12	SPRING SEAT(UPP.)	A105	1	
11	SPRING SEAT(LOW.)	A105	1	
10	SPRING	SAE9254	1	
9	VALVE STEM	A582 303	1	
8	BELLOWS	A240 316L	1	
7	ADJUST RING(LOW.)	SCS 13	1	
6A	DISC	A276 304-st.	1	
6	DISC HOLDER	SCS 13	1	
5	DISC GUIDE	SCS 13	1	
4	SEAT	SCS 13-st.	1	
3	CAP	FCD 450	1	
2	BONNET	SC480	1	
1	BODY	SC 480	1	

DWG NO.	JKS-SLQ022995 -10	Designed	Checked	Approved
MODEL	JSV-BF31	<i>[Signature]</i>	<i>[Signature]</i>	<i>[Signature]</i>
DATE	2016-01-25	J.Y.LIM	Y.S.KIM	J.K.KIM
BELLOWS TYPE SAFETY RELIEF VALVE				REV
JOKWANG I.L.I CO.,LTD.				0

DIMENSION UNIT : mm

SIZE	d	d1	dt	L	H1	H	INLET FLANGE JIS B 2210 20K RF						OUTLET FLANGE JIS B 2210 10K FF						Wt(kg)	
							D	g	k	c	T	f	N-H	D1	g1	c1	T1	f1		n-h
50xJx80	50	80	38	128	130	529	155	96	-	120	26	9	8-19	185	-	150	18	-	8-19	35