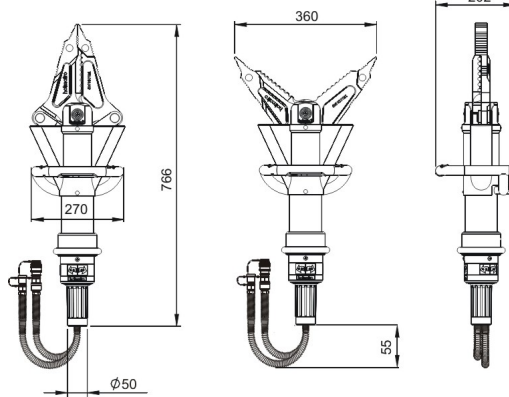
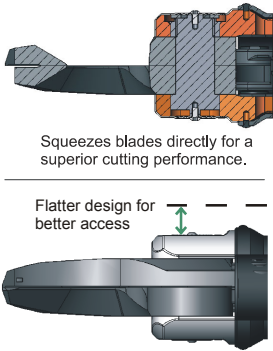
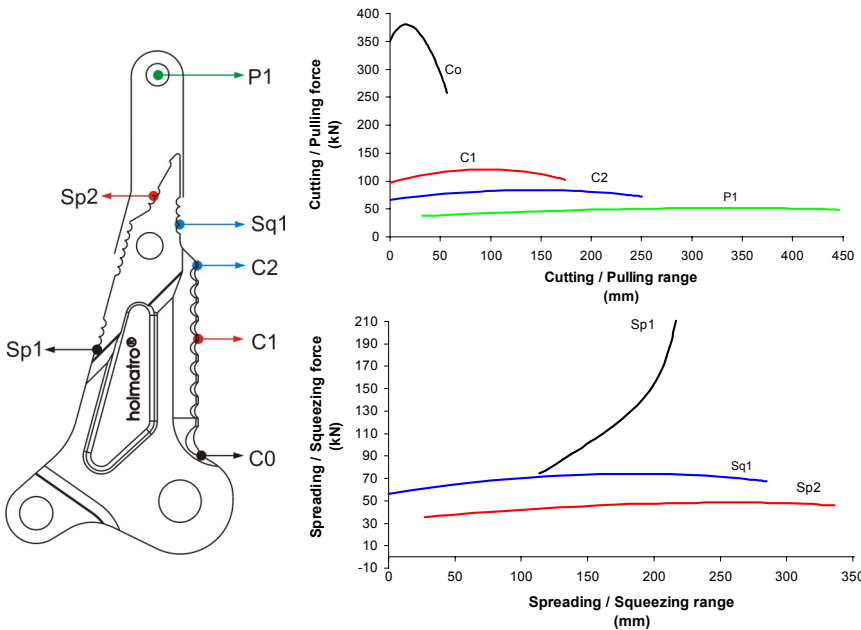




### i-bolt central bolt construction



SPECIFICATIONS	
article number	150.012.092
equipped with	dual hoses
max. working pressure	720 bar
max. spreading	360 mm
max. spreading force	200 kN / 20.4 t
min. spreading force in accordance with EN 13204	35 kN / 3.6 t (25 mm from the tips over full spreading range)
cutting opening	229 mm
max. cutting force	380 kN / 38.8 t
max. squeezing force	74 kN / 7.6 t
Max. pulling distance	410 mm
max. pulling force (with pulling attachments)	51 kN / 5.2 t
weight, ready for use	14.7 kg
dimensions LxWxH	766x270x202
temperature reach	-20° + 80° C
torque main bolt	50 Nm
required oil contents	83 cc (effective)
standard:	<ul style="list-style-type: none"> <li>handle with Integrated lighting</li> <li>i-bolt central bolt construction</li> </ul>



ACCESSORIES	Art.no.
maintenance set	150.113.011
spare blade set	150.000.885
set pulling attachments	150.582.026
set pulling chains 3 m + 1.5 m	150.582.152
torque wrench, 40-200 Nm	150.581.671
ratchet head for torque wrench	150.000.814
cap hexagon 32 mm	150.000.813

CUTTING PERFORMANCE		
Requirement EN category H	CT 4150	
	28 mm	X
	32 mm	X
	110x10 mm	X
	110x12 mm	X
	76.1x4 mm	X
	82.5x3.2 mm	X
	60x60x4 mm	X
	70x70x4 mm	X
	80x40x4 mm	X

Material according to EN 13204; S235JR

NORMS	TESTED	CLASS
EN 13204	✓	CK35/360-H-14.7
NFPA 1936	✓	

SAFETY FACTORS / TESTS
Safety factor tool, hydraulic: 2 x 720 bar = 1440 bar
Safety factor hoses: 4 x 720 bar = 2880 bar
Endurance test deadman's handle: 6000 cycles
Endurance test tool: 1000 cycles of opening and closing at 720 bar while arms are loaded with max. force.

**Manufacturing sales & service worldwide**  
**Holmatro Rescue Equipment**  
 P.O. Box 33, 4940 AA Raamsdonksveer  
 The Netherlands  
 tel.: + 31 (0)162 - 58 92 00  
 fax: + 31 (0)162 - 52 24 82  
 e-mail: info@holmatro.com  
 homepage: www.holmatro.com

**Manufacturing sales & service U.S.A., Canada and Latin America**  
**Holmatro, Inc.**  
 505 McCormick Drive, Glen Burnie, MD 21061  
 U.S.A.  
 tel.: + 1 - 410 - 768 - 9662  
 fax: + 1 - 410 - 768 - 4878  
 e-mail: info@holmatro-usa.com

© Holmatro® 0905  
 While the greatest care has been devoted to the content, it is possible that the information in this printed matter is incorrect or incomplete. Holmatro N.V. and its affiliated companies (hereafter: Holmatro) cannot be held liable in any way for the consequences of activities undertaken on the basis of this printed matter. If you have any doubts about the correctness or completeness on the information, you shall contact Holmatro (phone number: +31 (0)162-589200).  
 Nothing from this printed matter can be copied and/or made public in any way without the explicit authorization of Holmatro

